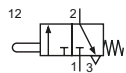


Technical details

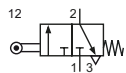
Connection	M5
Nominal size	2 mm
Temperature range	-10°C ... +70°C
Medium	Filtered, oil-free and dried compressed air according to ISO 8573-1:2010, Class 7:2:4, instrument air, free of aggressive additives. Differing the pressure dew point must be at least 10°C below lowest occurring ambient temperature.
Materials	Body: Al (anodized), seals: NBR, inner parts: stainless steel and brass, stem: stainless steel (E), plastic (ER, EL), roller: stainless steel (ER), plastic (EL), lever: brass



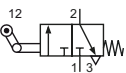
Mechanically operated seat valve.

3/2-way-Valves


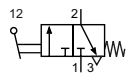
E-25-310
3/2-way, mechanical spring return, stem operated



ER-25-310
3/2-way, mechanical spring return, roller operated



EL-25-310
3/2-way, mechanical spring return, roller operated with free return



EH-25-310
3/2-way, mechanical spring return, hand lever operated

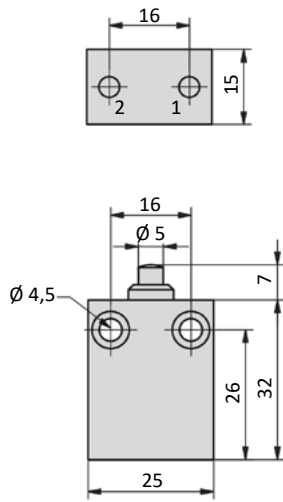
Technical data

Model-no.:	E-25-310	ER-25-310	EL-25-310	EH-25-310
Operating pressure (bar)	0 ... 12	0 ... 12	0 ... 12	0 ... 12
Flow rate (NI/min)	80	80	80	80
Actuating force at 6 bar (N)	15	8	8	4,5
Pre-stroke (mm)	1,25	1,5	1,5	1,5
Actuation stroke (mm)	1,25	1,5	1,5	1,5
Pre actuation stroke (mm)	1,5	1,2	1,2	1,2
Weight (kg)	0,035	0,046	0,044	0,036

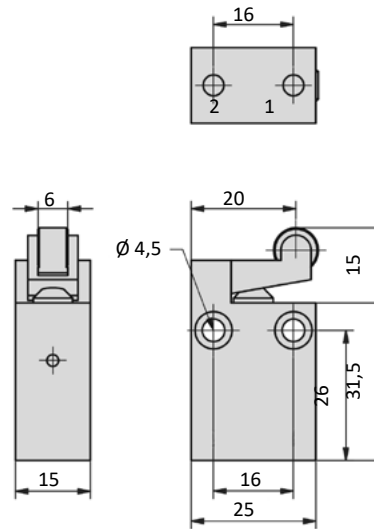
Series E-25

Dimensions

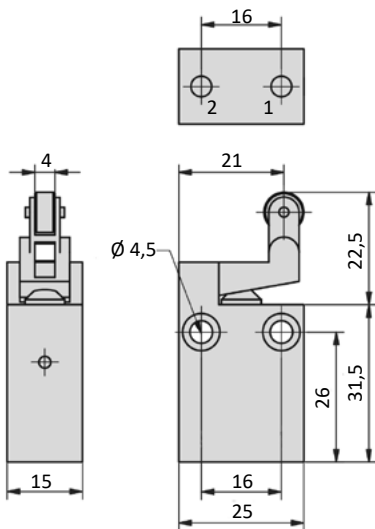
E-25-310



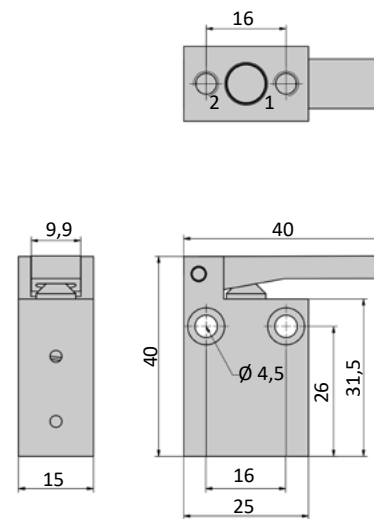
ER-25-310



EL-25-310



EH-25-310



1 = pressure inlet
2 = outlet