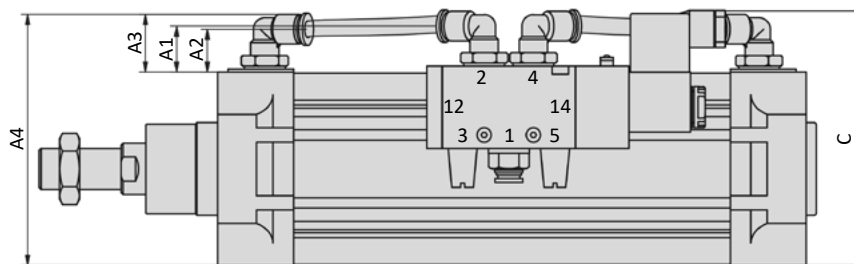
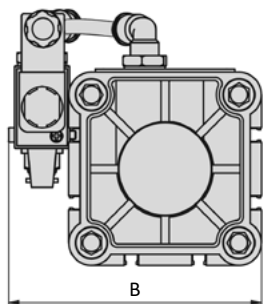


Series XSVK

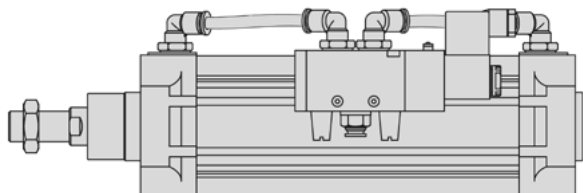
ISO 15552

Dimensions

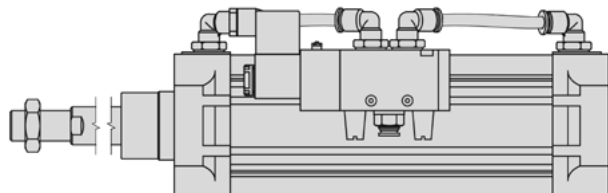


Piston Ø	A1	A2	A3	A4	B	C
32	20,3	22,5	29,7	75	70	74
40	15,5	23,5	30,7	83	76	73
50	20,4	23,1	30,3	95	89	80
63	10,4	20,2	27,4	103	100	81
80	22,4	20,9	28,1	122	123	125
100	24,2	27,3	36,6	149	141	137
125	20,7	26,8	36,1	170	164	156

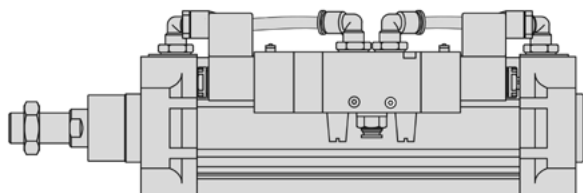
single solenoid valve, normally retracted



single solenoid valve, normally extended

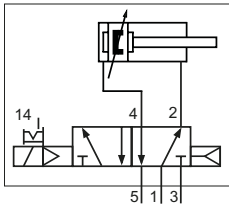


double solenoid valve, 5/3-way-valve

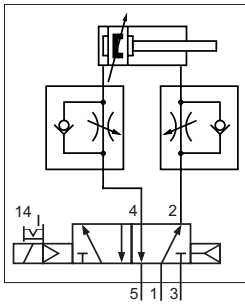


Types

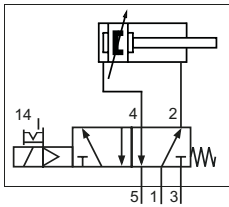
single solenoid valve, normally retracted



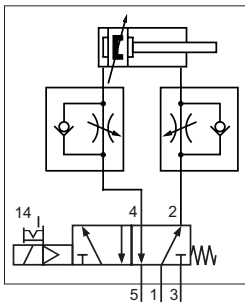
- 01** valve with air spring return, cylinder piston rod steel hard chrome plated
- 03** valve with air spring return, cylinder piston rod stainless steel



- 05** valve with air spring return, cylinder piston rod steel hard chrome plated, with mounted flow controls
- 07** valve with air spring return, cylinder piston rod stainless steel, with mounted flow controls

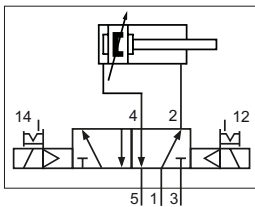


- 02** valve with mechanical spring return, cylinder piston rod steel hard chrome plated
- 04** valve with mechanical spring return, cylinder piston rod stainless steel

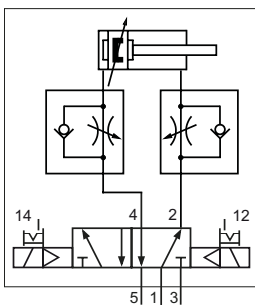


- 06** valve with mechanical spring return, cylinder piston rod steel hard chrome plated, with mounted flow controls
- 08** valve with mechanical spring return, cylinder piston rod stainless steel, with mounted flow controls

double solenoid valve

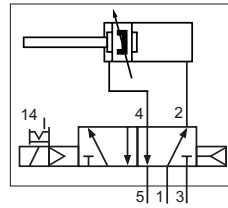


- 20** cylinder piston rod steel hard chrome plated
- 21** cylinder piston rod stainless steel

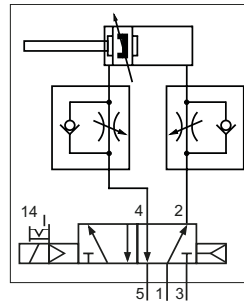


- 22** cylinder piston rod steel hard chrome plated, with mounted flow controls
- 23** cylinder piston rod stainless steel, with mounted flow controls

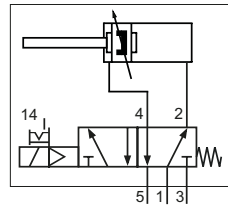
single solenoid valve, normally extended



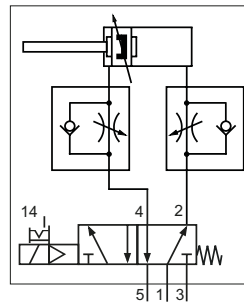
- 10** valve with air spring return, cylinder piston rod steel hard chrome plated
- 12** valve with air spring return, cylinder piston rod stainless steel



- 15** valve with air spring return, cylinder piston rod steel hard chrome plated, with mounted flow controls
- 17** valve with air spring return, cylinder piston rod stainless steel, with mounted flow controls

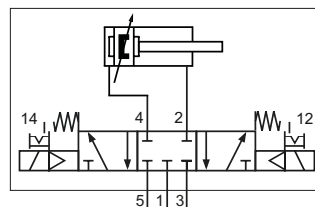


- 11** valve with mechanical spring return, cylinder piston rod steel hard chrome plated
- 13** valve with mechanical spring return, cylinder piston rod stainless steel

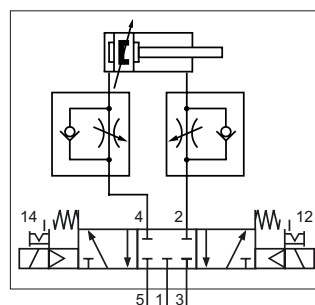


- 16** valve with mechanical spring return, cylinder piston rod steel hard chrome plated, with mounted flow controls
- 18** valve with mechanical spring return, cylinder piston rod stainless steel, with mounted flow controls

5/3-way, center position closed



- 25** cylinder piston rod steel hard chrome plated
- 26** cylinder piston rod stainless steel



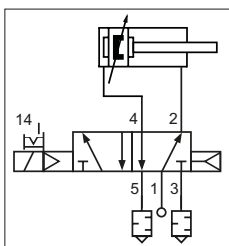
- 27** cylinder piston rod steel hard chrome plated, with mounted flow controls
- 28** cylinder piston rod stainless steel, with mounted flow controls

Series XSVK

ISO 15552

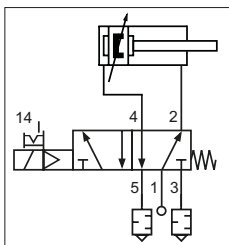
Types

single solenoid valve, normally retracted



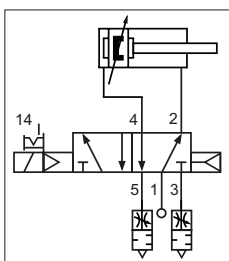
61 valve with air spring return, cylinder piston rod steel hard chrome plated valve with straight push-in fitting at the inlet, with silencers in the exhausts

63 valve with air spring return, cylinder piston rod stainless steel valve with straight push-in fitting at the inlet, with silencers in the exhausts



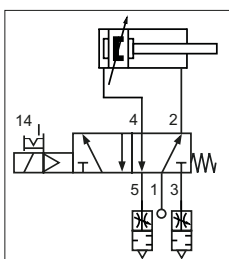
62 valve with mechanical spring return, cylinder piston rod steel hard chrome plated valve with straight push-in fitting at the inlet, with silencers in the exhausts

64 valve with mechanical spring return, cylinder piston rod stainless steel valve with straight push-in fitting at the inlet, with silencers in the exhausts



65 valve with air spring return, cylinder piston rod steel hard chrome plated valve with straight push-in fitting at the inlet, with flow-control silencer in the exhausts

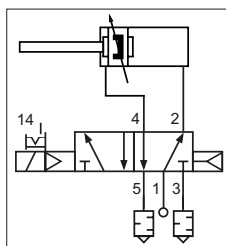
67 valve with air spring return, cylinder piston rod stainless steel valve with straight push-in fitting at the inlet, with flow-control silencer in the exhausts



66 valve with mechanical spring return, cylinder piston rod steel hard chrome plated valve with straight push-in fitting at the inlet, with flow-control silencer in the exhausts

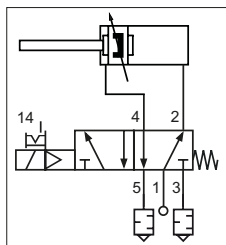
68 valve with mechanical spring return, cylinder piston rod stainless steel valve with straight push-in fitting at the inlet, with flow-control silencer in the exhausts

single solenoid valve, normally extended



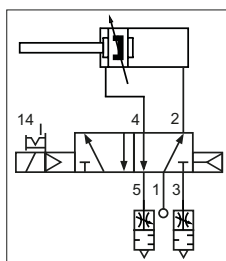
71 valve with air spring return, cylinder piston rod steel hard chrome plated valve with straight push-in fitting at the inlet, with silencers in the exhausts

73 valve with air spring return, cylinder piston rod stainless steel valve with straight push-in fitting at the inlet, with silencers in the exhausts



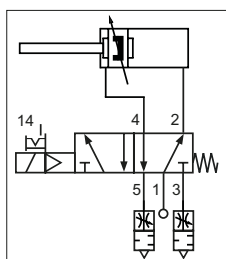
72 valve with mechanical spring return, cylinder piston rod steel hard chrome plated valve with straight push-in fitting at the inlet, with silencers in the exhausts

74 valve with mechanical spring return, cylinder piston rod stainless steel valve with straight push-in fitting at the inlet, with silencers in the exhausts



75 valve with air spring return, cylinder piston rod steel hard chrome plated valve with straight push-in fitting at the inlet, with flow-control silencer in the exhausts

77 valve with air spring return, cylinder piston rod stainless steel valve with straight push-in fitting at the inlet, with flow-control silencer in the exhausts

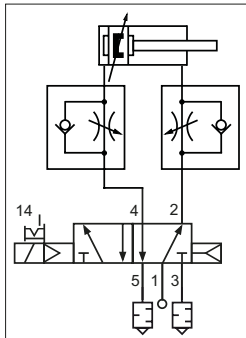


76 valve with mechanical spring return, cylinder piston rod steel hard chrome plated valve with straight push-in fitting at the inlet, with flow-control silencer in the exhausts

78 valve with mechanical spring return, cylinder piston rod stainless steel valve with straight push-in fitting at the inlet, with flow-control silencer in the exhausts

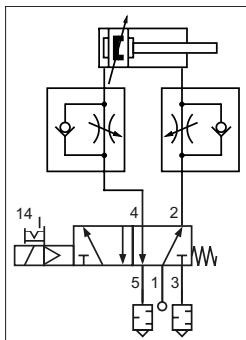
Types

single solenoid valve, normally retracted



41
valve with air spring return, cylinder piston rod steel hard chrome plated
valve with straight push-in fitting at the inlet, with silencers in the exhausts
cylinder with mounted exhaust flow regulators

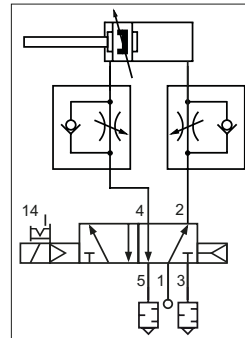
43
valve with air spring return, cylinder piston rod stainless steel
valve with straight push-in fitting at the inlet, with silencers in the exhausts
cylinder with mounted exhaust flow regulators



42
valve with mechanical spring return, cylinder piston rod steel hard chrome plated
valve with straight push-in fitting at the inlet, with silencers in the exhausts
cylinder with mounted exhaust flow regulators

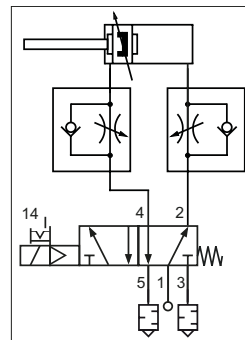
44
valve with mechanical spring return, cylinder piston rod stainless steel
valve with straight push-in fitting at the inlet, with silencers in the exhausts
cylinder with mounted exhaust flow regulators

single solenoid valve, normally extended



51
valve with air spring return, cylinder piston rod steel hard chrome plated
valve with straight push-in fitting at the inlet, with silencers in the exhausts
cylinder with mounted exhaust flow regulators

53
valve with air spring return, cylinder piston rod stainless steel
valve with straight push-in fitting at the inlet, with silencers in the exhausts
cylinder with mounted exhaust flow regulators



52
valve with mechanical spring return, cylinder piston rod steel hard chrome plated
valve with straight push-in fitting at the inlet, with silencers in the exhausts
cylinder with mounted exhaust flow regulators

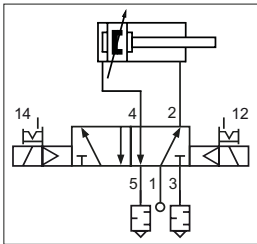
54
valve with mechanical spring return, cylinder piston rod stainless steel
valve with straight push-in fitting at the inlet, with silencers in the exhausts
cylinder with mounted exhaust flow regulators

Series XSVK

ISO 15552

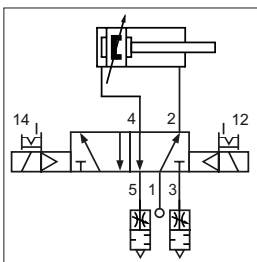
Types

Impulsventil



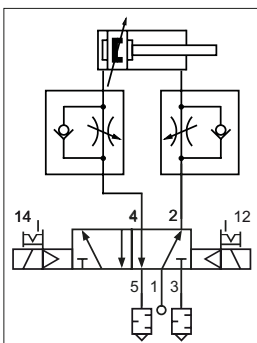
82
cylinder piston rod steel hard chrome plated
valve with straight push-in fitting
at the inlet, with silencers in the
exhausts

83
cylinder piston rod stainless steel
valve with straight push-in fitting
at the inlet, with silencers in the
exhausts



84
cylinder piston rod steel hard chrome
plated
valve with straight push-in fitting at
the inlet, with flow-control silencer
in the exhausts

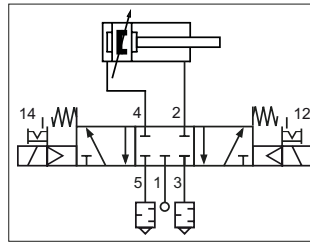
85
cylinder piston rod stainless steel
valve with straight push-in fitting at
the inlet, with flow-control silencer
in the exhausts



86
cylinder piston rod steel hard chrome
plated
valve with straight push-in fitting
at the inlet, with silencers in the
exhausts
cylinder with mounted exhaust flow
regulators

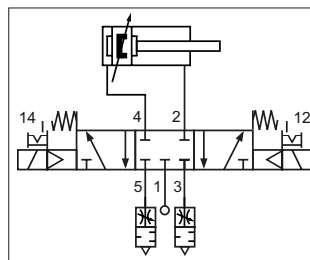
87
cylinder piston rod stainless steel
valve with straight push-in fitting
at the inlet, with silencers in the
exhausts
cylinder with mounted exhaust flow
regulators

5/3-Wege-valve, Mittelstellung geschlossen



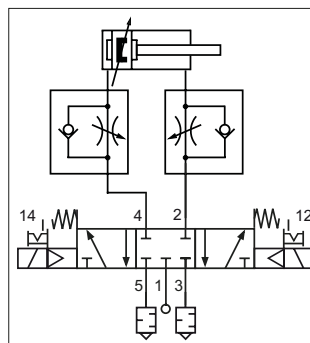
92
cylinder piston rod steel hard chrome
plated
valve with straight push-in fitting
at the inlet, with silencers in the
exhausts

93
cylinder piston rod stainless
steel
valve with straight push-in fitting
at the inlet, with silencers in the
exhausts



94
cylinder piston rod steel hard
chrome plated
valve with straight push-
in fitting at the inlet, with
flow-control silencer in the
exhausts

95
cylinder piston rod stainless
steel
valve with straight push-
in fitting at the inlet, with
flow-control silencer in the
exhausts



96
cylinder piston rod steel hard
chrome plated,
valve with straight push-in fitting
at the inlet, with silencers
in the exhausts
cylinder with mounted
exhaust flow regulators

97
cylinder piston rod stainless
steel
valve with straight push-in fitting
at the inlet, with silencers
in the exhausts
cylinder with mounted
exhaust flow regulators

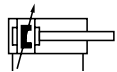
Technical details

Operating pressure	1 ... 10 bar
Temperature range	-20°C ... +70°C
Max. stroke	2800 mm
Medium	50 ... 800 mm/s
	Filtered, oil-free and dried compressed air according to ISO 8573-1:2010, Class 7:2:4, instrument air, free of aggressive additives. Alternatively the pressure dew point must be at least 10°C below lowest occurring ambient temperature.
Materials	Cylinder tube: Al (anodized) End caps: Al-die-cast (painted) Piston rod: steel hard chrome plated Seals: PU, NBR

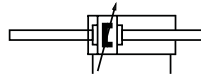


Double acting Al-profile cylinder with integrated sensor grooves, adjustable cushions and magnetic piston for proximity sensors. The sensors can be installed directly into the sensor grooves of the Al-profile. Standard stroke lengths in table below, additional lengths on request.

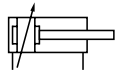
Versions



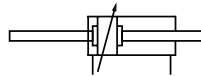
050
double acting, adjustable cushioning, with magnetic piston



450
double acting, double end piston rod, adjustable cushioning, with magnetic piston

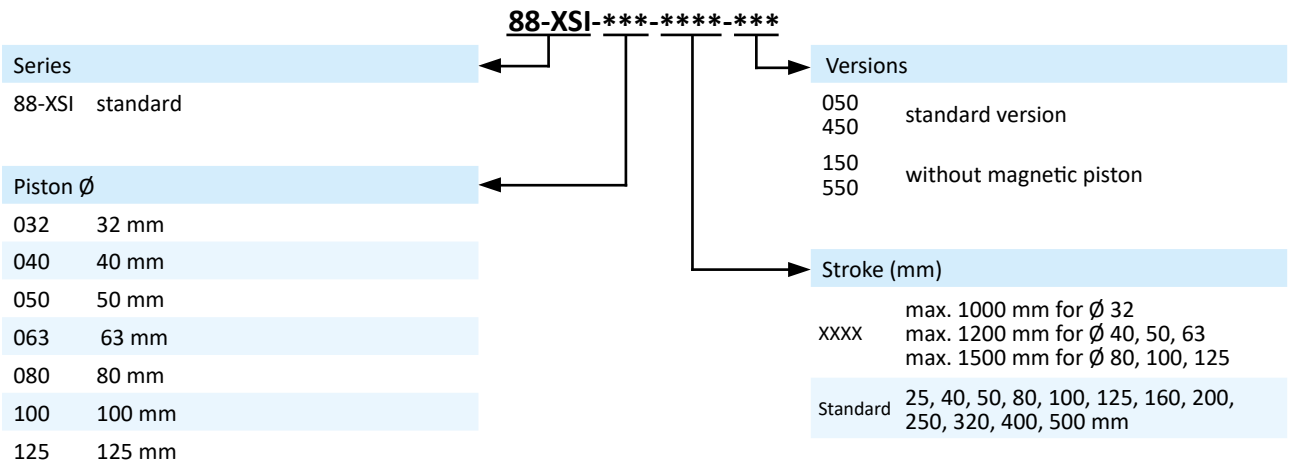


150
double acting, adjustable cushioning



550
double acting, double end piston rod, adjustable cushioning

Order code



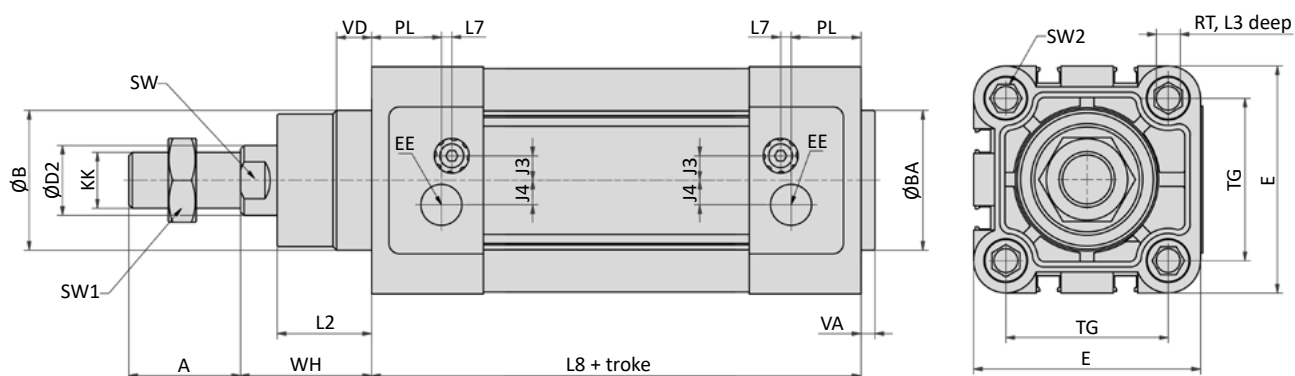
Series 88-XSI

ISO 15552, double acting

Technical data

Model-no.:	88-XSI-032-...	88-XSI-040-...	88-XSI-050-...	88-XSI-063-...	88-XSI-080-...	88-XSI-100-...	88-XSI-125-...
Piston Ø (mm)	32	40	50	63	80	100	125
Force at 6 bar (N)	Extension	434	678	1060	1682	2713	6623
	Retraction	373	570	890	1513	2448	6189
Connection	G1/8	G1/4	G1/4	G3/8	G3/8	G1/2	G1/2
Piston rod thread	M10 x 1.25	M12 x 1.25	M16 x 1.5	M16 x 1.5	M20 x 1.5	M20 x 1.5	M27 x 2
Cushioning length (mm)	20	20	20	20	26	26	26

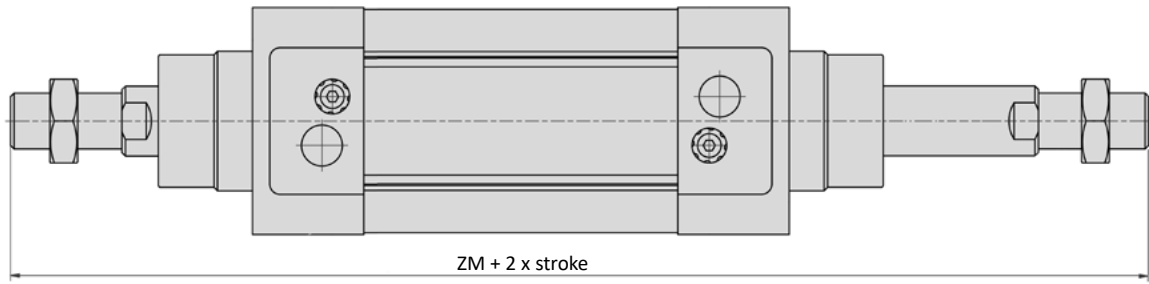
Dimensions series 88-XSI



Piston Ø	A	Ø B	Ø BA	Ø D2	E	EE	J3	J4	KK	L2	L3
32	22	30	30	12	45	G1/8	6.5	5	M10 x 1.25	16	12
40	24	35	35	16	52	G1/4	7	7	M12 x 1.25	20	12
50	32	40	40	20	65	G1/4	9	7	M16 x 1.5	27	12
63	32	45	45	20	76	G3/8	9	8	M16 x 1.5	26	12
80	40	45	45	25	94	G3/8	12	10	M20 x 1.5	35	15
100	40	55	55	25	112	G1/2	14	10	M20 x 1.5	40	15
125	54	60	60	32	134	G1/2	14	10	M27 x 2	46	20

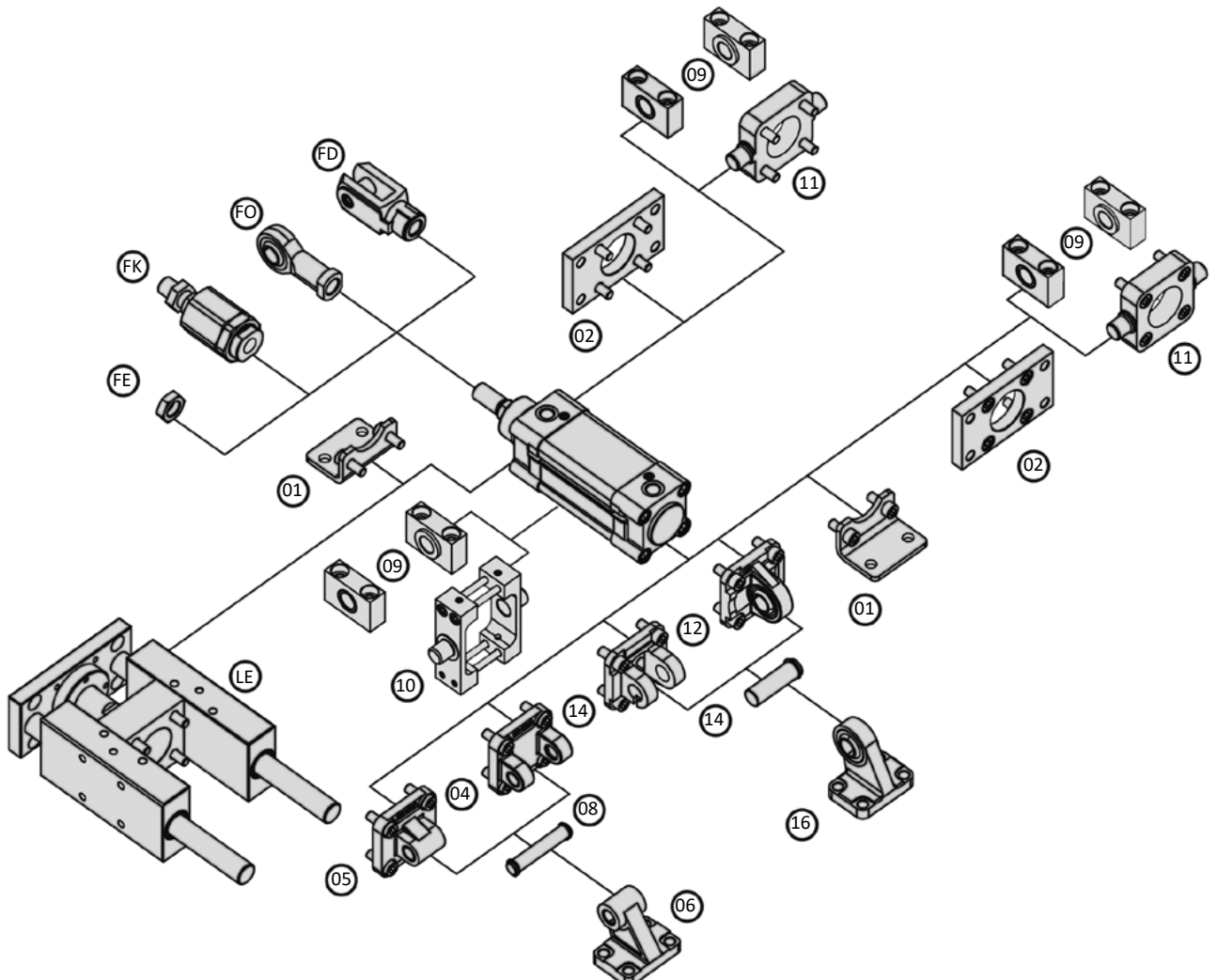
Piston Ø	L7	L8	PL	RT	SW	SW1	SW2	TG	VA	VD	WH
32	3	94	15	M6	10	17	6	32.5	4	10	27
40	3	105	17.5	M6	13	19	6	38	4	10	30
50	3	106	20	M8	17	24	8	46.5	4	10	37.5
63	5	122	22	M8	17	24	8	56.5	4	10	36
80	5	127	23	M10	22	30	6	72	5	10	48
100	5	137	26	M10	22	30	6	89	6	10	52
125	5	160	29	M12	27	41	8	110	7	10	63

Dimensions series 88-XSI (addition at double end piston rod)



Piston \varnothing (mm)	32	40	50	63	80	100	125
ZM	146	165	180	195	220	240	290

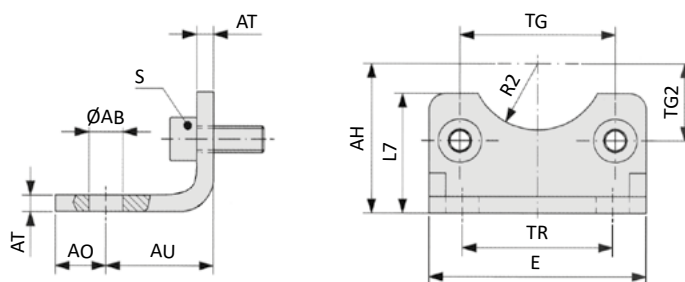
Assembly of the attachments XLB-xxx-yy



Series 88-XSI

Mounting accessories

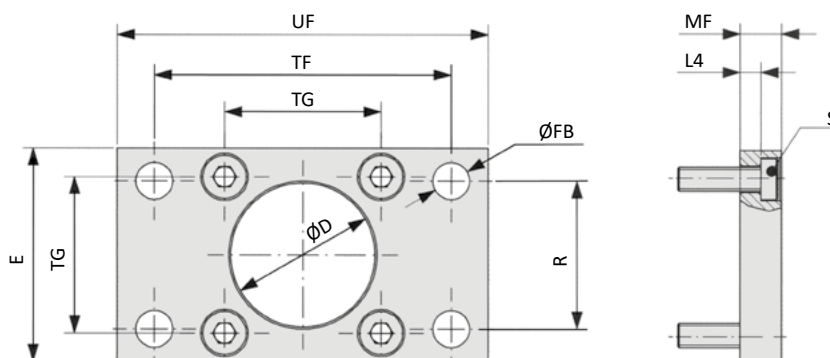
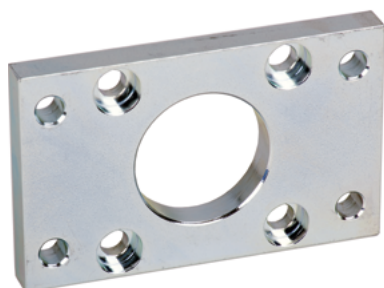
XLB-xxx-01 Foot mount



Model-no.:	Ø AB	AH	AO	AU	AT	E	L7	R2	S	TG	TG2	TR
XLB-032-01	7	32	11	24	4	45	30	15	M6 x 16	32.5	16.25	32
XLB-040-01	10	36	8	28	4	52	30	17.5	M6 x 16	38	19	36
XLB-050-01	10	45	15	32	5	65	36	20	M8 x 20	46.5	23.25	45
XLB-063-01	10	50	13	32	5	75	35	22.5	M8 x 20	56.5	28.25	50
XLB-080-01	12	63	14	41	6	95	47	22.5	M10 x 20	72	36	63
XLB-100-01	14.5	71	16	41	6	115	53	27.5	M10 x 20	89	44.5	75
XLB-125-01	16.5	90	25	45	8	140	70	30	M12 x 25	110*	55	90
<i>tolerances and adjustments</i>	H14	JS16		± 0.2				H15		± 0.2 *± 0.3		JS14

Material: steel, zinc plated; 2 x 2 screws in accordance with EN ISO 4762 are included.

XLB-xxx-02 Flange mount



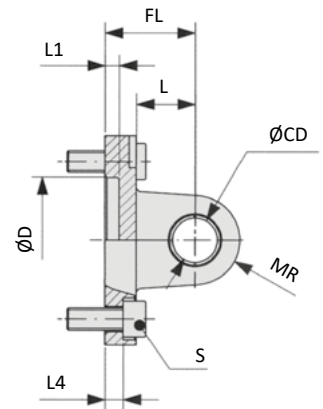
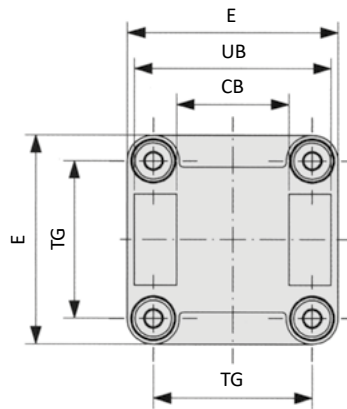
Model-no.:	Ø D	E	Ø FB	L4	MF	R	S	TF	TG	UF
XLB-032-02	30	45	7	5	10	32	M6 x 20	64	32.5	80
XLB-040-02	35	52	9	5	10	36	M6 x 20	72	38	90
XLB-050-02	40	65	9	6.5	12	45	M8 x 20	90	46.5	110
XLB-063-02	45	75	9	6.5	12	50	M8 x 20	100	56.5	120
XLB-080-02	45	95	12	9	16	63	M10 x 25	126	72	150
XLB-100-02	55	115	14	9	16	75	M10 x 25	150	89	170
XLB-125-02	60	140	16	10.5	20	90	M12 x 25	180	110*	205
<i>tolerances and adjustments</i>	H11		H13	- 0.5	JS14	JS14		JS14	± 0.2 *± 0.3	

Material: steel, zinc plated; 4 screws in accordance with DIN 7984 are included.

XLB-xxx-04 Clevis mount with bushing



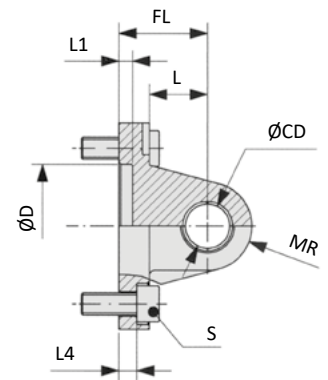
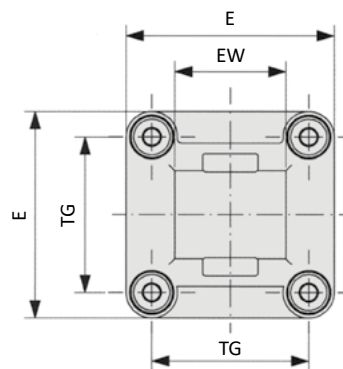
Inclusive clevis pin
order no: XLB-xxx-48



Model-no.:	CB	Ø CD	Ø D	E	FL	L	L1	L4	MR	S	TG	UB
XLB-032-04	26	10	30	45	22	13	5	5.5	10	M6 x 20	32.5	45
XLB-040-04	28	12	35	52	25	16	5	5.5	12	M6 x 20	38	52
XLB-050-04	32	12	40	65	27	16	5	6.5	12	M8 x 20	46.5	60
XLB-063-04	40	16	45	75	32	21	5	6.5	16	M8 x 20	56.5	70
XLB-080-04	50	16	45	95	36	22	5	10	16	M10 x 25	72	90
XLB-100-04	60	20	55	115	41	27	5	10	20	M10 x 25	89	110
XLB-125-04	70	25	60	140	50	30	7	10	25	M12 x 25	110*	130
<i>tolerances and adjustments</i>	H14	H9	H11		± 0.2			± 0.5			± 0.2 *± 0.3	h13

Materials: Al, bushing steel and PTFE; 4 screws in accordance with EN ISO 4762 are included.

XLB-xxx-05 Swivel mount



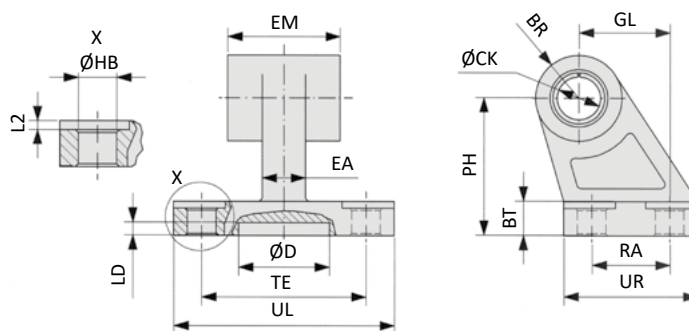
Model-no.:	Ø CD	Ø D	E	EW	FL	L	L1	L4	MR	S	TG
XLB-032-05	10	30	45	26	22	13	5	5.5	10	M6 x 20	32.5
XLB-040-05	12	35	52	28	25	16	5	5.5	12	M6 x 20	38
XLB-050-05	12	40	65	32	27	16	5	6.5	12	M8 x 20	46.5
XLB-063-05	16	45	75	40	32	21	5	6.5	16	M8 x 20	56.5
XLB-080-05	16	45	95	50	36	22	5	10	16	M10 x 25	72
XLB-100-05	20	55	115	60	41	27	5	10	20	M10 x 25	89
XLB-125-05	25	60	140	70	50	30	7	10	25	M12 x 25	110*
<i>tolerances and adjustments</i>	H9	H11			± 0.2			± 0.5			± 0.2 *± 0.3

Materials: Al, bushing steel and PTFE; 4 screws in accordance with EN ISO 4762 are included.

Series 88-XSI

Mounting accessories

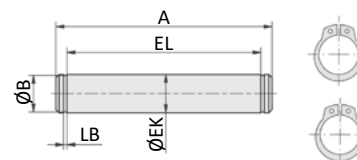
XLB-xxx-06 Swivel mount 90°



Model-no.:	BR	BT	ØCK	Ø D	EA	EM	GL	ØHB	L2	LD	PH	RA	TE	UL	UR
XLB-032-06	10	8	10	21	10	26	21	6.6	1.6	3	32	18	38	51	31
XLB-040-06	11	10	12	21	15	28	24	6.6	1.6	3	36	22	41	54	35
XLB-050-06	13	12	12	21	16	32	33	9	1.6	3	45	30	50	65	45
XLB-063-06	15	14	16	21	16	40	37	9	1.6	3	50	35	52	67	50
XLB-080-06	15	14	16	21	20	50	47	11	2.5	3	63	40	66	86	60
XLB-100-06	19	17	20	11	20	60	55	11	2.5	3	71	50	76	96	70
XLB-125-06	22.5	20	25	21	30	70	70	14	3.2	3	90	60	94	124	90
<i>tolerances and adjustments</i>			H9				JS14	H13			JS15	JS14	JS14		

Materials: Al, bushing steel and PTFE

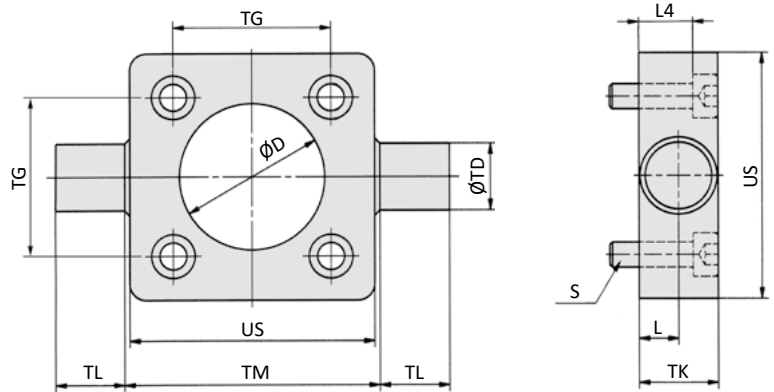
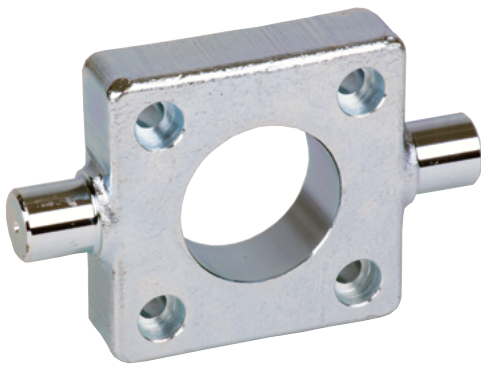
XLB-xxx-08 Clevis pin



Model-no.:	A	Ø B	Ø EK	EL	LB
XLB-032-08	53	9.6	10	46	1.1
XLB-040-08	60	11.5	12	53	1.1
XLB-050-08	68	11.5	12	61	1.1
XLB-063-08	78	15.2	16	71	1.1
XLB-080-08	98	15.2	16	91	1.1
XLB-100-08	118	19	20	111	1.3
XLB-125-08	139	23.9	25	132*	1.3
<i>tolerances and adjustments</i>			e8	+2 *+3	

Material: steel, zinc plated; 2 snap rings are included.

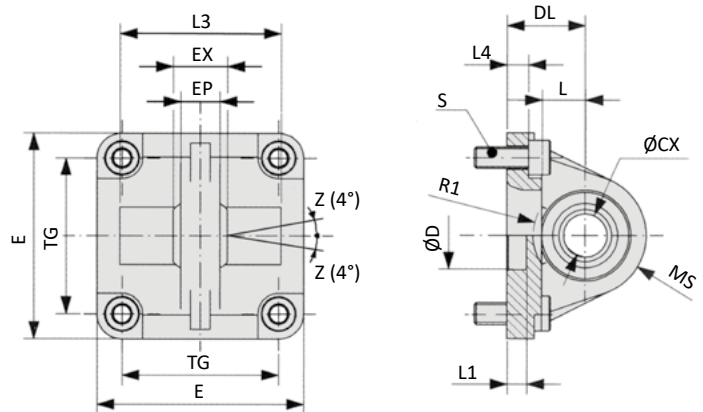
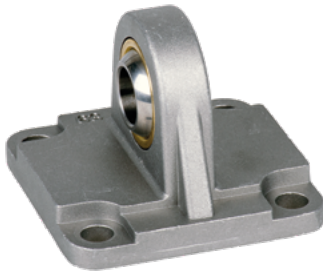
XLB-xxx-11 Trunnion mount



Model-no.:	Ø D	L	L4	S	Ø TD	TG	TK	TL	TM	US
XLB-032-11	30	6.5	8	M6 x 20	12	32.5	14	12	50	46
XLB-040-11	35	9	13	M6 x 25	16	38	19	16	63	59
XLB-050-11	40	9	11	M8 x 25	16	46.5	19	16	75	69
XLB-063-11	45	11.5	16	M8 x 30	20	56.5	24	20	90	84
XLB-080-11	45	11.5	14	M10 x 30	20	72	24	20	110	102
XLB-100-11	55	14	19	M10 x 35	25	89	29	25	132	125
XLB-125-11	60	15	18	M12 x 35	25	110	30	25	160	150
<i>tolerances and adjustments</i>	H 11	+ 0.2			e9	± 0.2		h14	h14	

Material: steel, zinc plated; 4 screws in accordance with EN ISO 4762 are included.

XLB-xxx-12 Swivel mount with spherical bearing

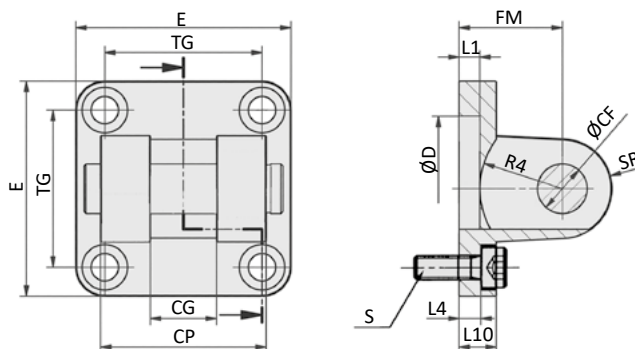


Model-no.:	Ø CX	Ø D	DL	E	EP	EX	L	L1	L3	L4	MS	R1	S	TG
XLB-032-12	10	30	22	45	10.5	14	12	7	-	5.5	16	-	M6 x 20	32.5
XLB-040-12	12	35	25	52	12	16	15	7	-	5.5	18	-	M6 x 20	38
XLB-050-12	16	40	27	65	15	21	15	7	51	6.5	21	19	M8 x 20	46.5
XLB-063-12	16	45	32	75	15	21	20	7	-	6.5	23	-	M8 x 20	56.5
XLB-080-12	20	45	36	95	18	25	20	9	74	10	28	24	M10 x 25	72
XLB-100-12	20	55	41	115	18	25	25	9	-	10	30	-	M10 x 25	89
XLB-125-12	30	60	50	140	25	37	30	9	-	10	40	-	M12 x 25	110*
<i>tolerances and adjustments</i>	H7	H11	± 0.2			± 0.1				± 0.5				± 0.2 *± 0.3

Materials: Al, bearing steel, bronze bushing; 4 screws in accordance with EN ISO 4762 are included.

Series 88-XSI Mounting accessories

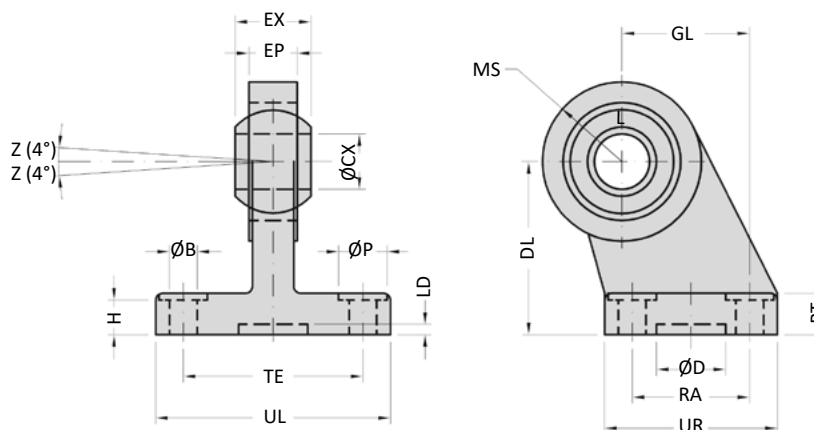
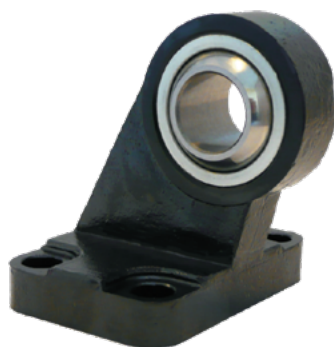
XLB-xxx-14 Clevis mount small with pin



Model-no.:	Ø CF	CG	CP	Ø D	E	FM	L1	L4	L10	R4	S	SR	TG
XLB-032-14	10	14	34	30	45	22	5	5.5	9	17	M6 x 20	10	32.5
XLB-040-14	12	16	40	35	52	25	5	5.5	9	20	M6 x 20	12	38
XLB-050-14	16	21	45	40	65	27	5	6.5	11	22	M8 x 20	14	46.5
XLB-063-14	16	21	51	45	75	32	5	6.5	11	25	M8 x 20	18	56.5
XLB-080-14	20	25	65	45	95	36	5	10	14	30	M10 x 25	20	72
XLB-100-14	20	25	75	55	115	41	5	10	14	32	M10 x 25	22	89
XLB-125-14	30	37	97	60	140	50	7	10	20	42	M12 x 25	25	110*
<i>tolerances and adjustments</i>	F7	D10	d12	H11		± 0.2		± 0.5					± 0.2 *± 0.3

Materials: Al, bushing steel and PTFE, clevis pin steel, zinc plated; 4 screws in accordance with EN ISO 4762 are included.

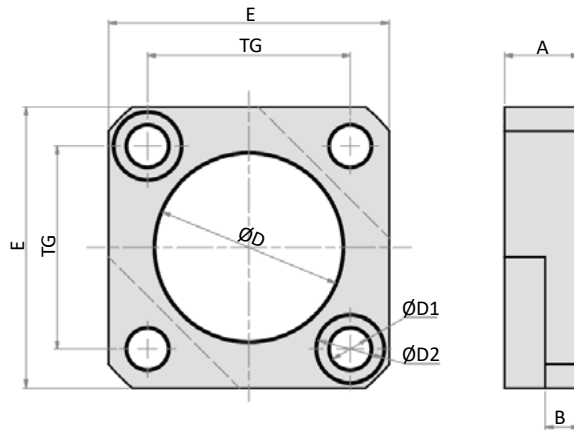
XLB-xxx-16 Swivel mount with spherical bearing 90°



Model-no.:	Ø B	BT	ØCX	ØD	DL	EP	EX	GL	H	LD	MS	ØP	RA	TE	UL	UR
XLB-032-16	6.6	10	10	20	32	10.5	14	21	8.5	3	15	11	18	38	51	31
XLB-040-16	6.6	10	12	20	36	12	16	24	8.5	3	18	11	22	41	54	35
XLB-050-16	9	12	16	20	45	15	21	33	10.5	3	20	15	30	50	65	45
XLB-063-16	9	12	16	20	50	15	21	37	10.5	3	23	15	35	52	67	50
XLB-080-16	11	14	20	20	60	18	25	47	11.5	3	27	18	40	66	86	60
XLB-100-16	11	15	20	20	70	18	25	55	12.5	3	30	18	50	76	96	70
XLB-125-16	13.5	20	30	20	90	25	37	70	17	3	40	20	60	94	124	90
<i>tolerances and adjustments</i>	H13		H7	H13	JS15	max	0 -0.1	JS15	+0.5 0		max	H13	JS14	JS14	max	max

Materials: steel, bearing steel, bronze bushing

XLB-xxx-23 Multi-position adapter



Model-no.:	A	B	Ø D	Ø D1	Ø D2	E	TG
XLB-032-23	12	5,5	30	6,5	10,6	45	32,5
XLB-040-23	12	5,5	35	6,5	10,6	50	38
XLB-050-23	16	7,5	40	8,5	13,5	65	46,5
XLB-063-23	16	7,5	45	8,5	13,5	75	56,5
XLB-080-23	20	9	45	10,5	16,5	90	72
XLB-100-23	20	10,5	55	10,5	16,5	105	89
XLB-125-23	30	15	68	12,5	18,5	130	110

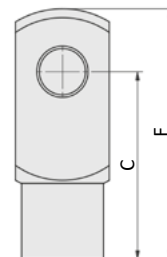
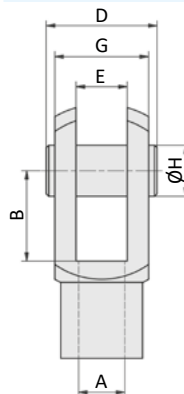
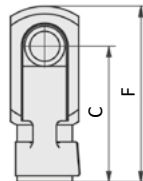
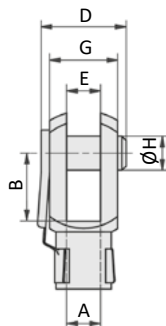
Material: Al, mounting material included

Series 88-XSI Mounting accessories

RD-xx, FD-xxx Rod clevis

Spring loaded pin (RD-25, FD-40...80)

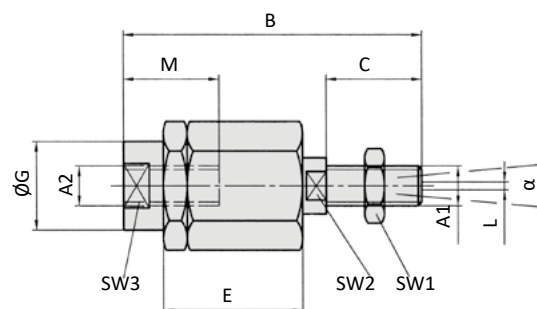
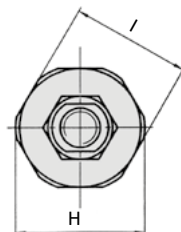
Clevis pin with snap rings (FD-125)



Model-no.:	for cylinder	A	B	C	D	E	F	G	Ø H
RD-25	XL-032	M10 x 1.25	20	40	26	10	52	20	10
FD-40	XL-040	M12 x 1.25	24	48	32	12	62	24	12
FD-63	XL-050, XL-063	M16 x 1.5	32	64	40	16	83	32	16
FD-80	XL-080, XL-100	M20 x 1.5	40	80	50	20	105	40	20
FD-125	XL-125	M27 x 2	54	110	65	30	148	55	30

Material: steel, zinc plated

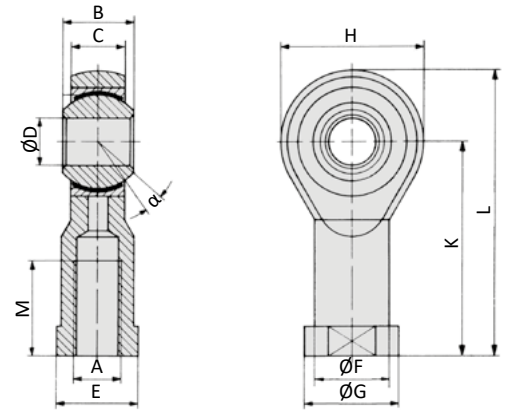
FK-xxx Flexible coupling



Model-no.:	for cylinder	A1, A2	B	C	D	E	Ø G	H	I	L	M	SW1	SW2	SW3	α
FK-32	XL-032	M10 x 1.25	71.5	20	7.5	35	22	32	30	2	22	17	12	19	8°
FK-40	XL-040	M12 x 1.25	75	24	7.5	35	22	32	30	2	22	19	12	19	8°
FK-63	XL-050, XL-063	M16 x 1.5	104	32	10	53	32	45	41	2	30	24	20	27	6°
FK-80	XL-080, XL-100	M20 x 1.5	119	40	10	53	32	45	41	2	37	30	20	30	6°
FK-125	XL-125	M27 x 2	147	54	10	60	57	70	65	2	48	41	24	54	8°

Material: steel, zinc plated

RO-xx, FO-xxx Rod eye



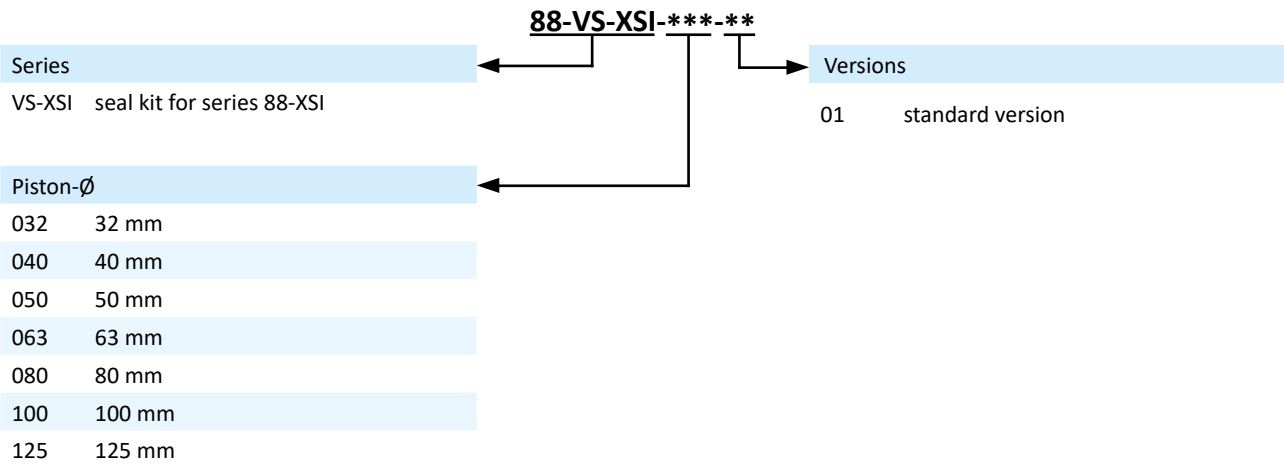
Model-no.:	for cylinder	A	B	C	Ø D	E	Ø F	Ø G	H	K	L	M	α
RO-25	XL-032	M10 x 1.25	14	10.5	10	17	15	19	28	43	57	20	13°
FO-40	XL-040	M12 x 1.25	16	12	12	19	17.5	22	32	50	66	22	13°
FO-63	XL-050, XL-063	M16 x 1.5	21	15	16	22	22	27	42	64	85	28	15°
FO-80	XL-080, XL-100	M20 x 1.5	25	18	20	30	27.5	34	50	77	102	33	14°
FO-125	XL-125	M27 x 2	37	25	30	41	40	50	70	110	145	51	17°

Materials: steel, zinc plated, bearing steel, bronze bushing

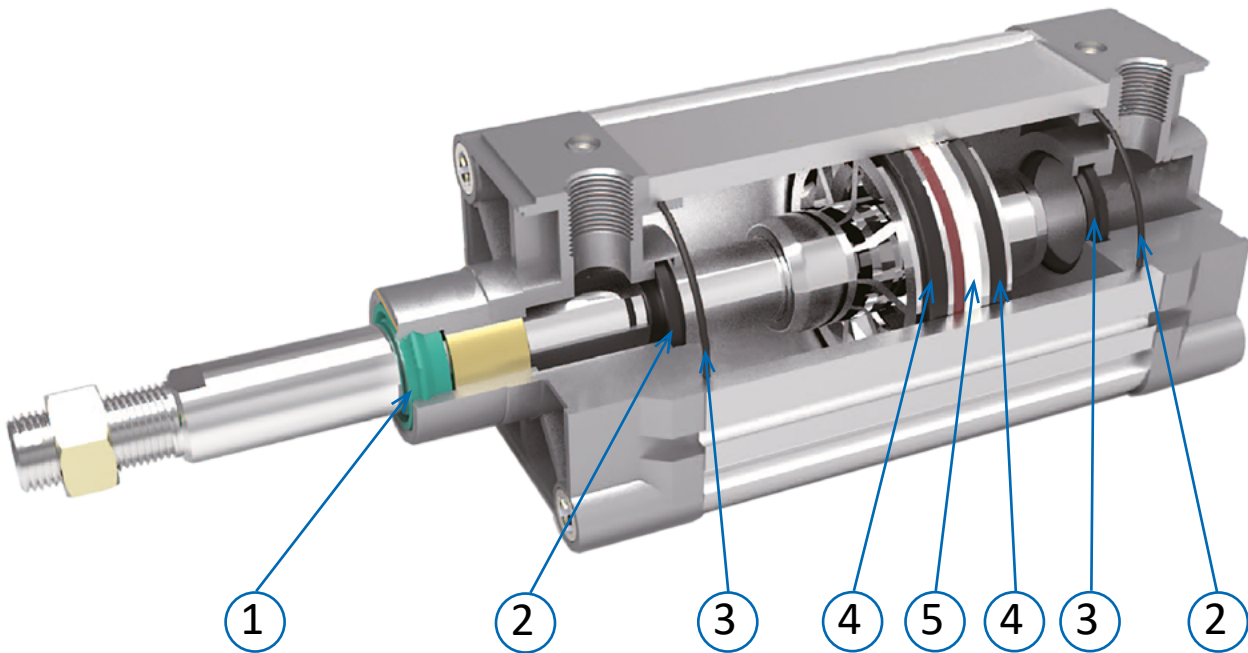
Series 88-XSI

Seal kits

Order code

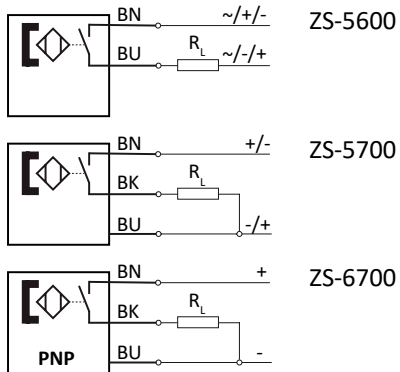
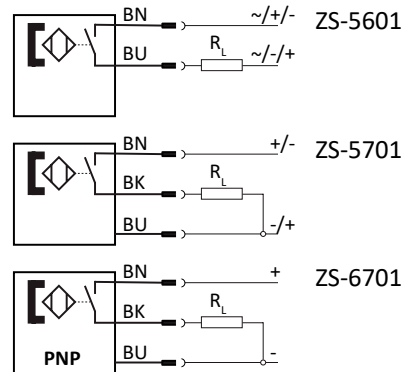


Content



Standard version

Position	Benennung	Anzahl
1	piston rod seal (PUR)	1
2	cushion seal (NBR)	2
3	O-ring (NBR)	2
4	piston seal (NBR)	2
5	guide ring (PTFE)	1

Proximity sensors with cable

Proximity sensors with plug

Technical data

Model-no.:	ZS-5600	ZS-5601	ZS-5700	ZS-5701
Design	2-pole Reed sensor	2-pole Reed sensor	3-pole Reed sensor	3-pole Reed sensor
Contact function	NO	NO	NO	NO
Rated operational voltage	5 ... 240 V AC / DC	5 ... 60 V AC / DC	5 ... 30 V DC	5 ... 30 V DC
Rated operational current I_E	3 ... 100 mA	3 ... 100 mA	≤ 500 mA	≤ 500 mA
Max. voltage drop at I_E	≤ 2.5	≤ 2.5	≤ 0.1	≤ 0.1
Breaking capacity	10 W	10 W	10 W	10 W
Cable length	3 m	0.3 m with M8 connection	5 m	0.3 m with M8 connection
Temperature range	-10 ... +70°C	-10 ... +70°C	-10 ... +70°C	-10 ... +70°C
Protection	IP 67	IP 67	IP 67	IP 67
Switching status indication	LED red	LED red	LED yellow	LED yellow

Model-no.:	ZS-6700	ZS-6701
Design	3-pole inductive	3-pole inductive
Contact function	NO	NO
Output	PNP	PNP
Rated operational voltage	5 ... 30 V DC	5 ... 30 V DC
Rated operational current I_E	≤ 200 mA	≤ 200 mA
Max. voltage drop at I_E	≤ 1.0	≤ 1.0
Breaking capacity	6 W	6 W
Cable length	3 m	0.3 m with M8 connection
Temperature range	-10 ... +70°C	-10 ... +70°C
Protection	IP 67	IP 67
Switching status indication	LED green	LED green

Series 86-MV-5-28

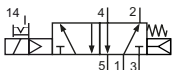
Technical details

Connection	G1/8
Temperature range	-10°C ... +70°C
Medium	Filtered, oil-free and dried compressed air according to ISO 8573-1:2010, Class 7:2:4, instrument air, free of aggressive additives. Alternatively the pressure dew point must be at least 10°C below lowest occurring ambient temperature.
Materials	Body: Al (anodized), plastic, seals: NBR, inner parts: Al, steel and plastic
Protection	IP 65 according to EN 60529

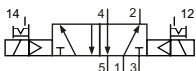


Electrically operated spool valve. The manual override is detent/ non-detent. It is operated manually or by screwdriver.

5/2-way valves



86-MV-5-28-511-xxx
5/2-way, single solenoid, mechanical spring return and air spring return

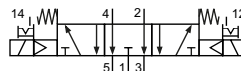


86-MV-5-28-520-xxx
5/2-way, double solenoid

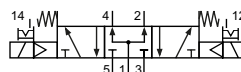
5/3-way valves



86-MV-5-28-530-xxx
5/3-way, center position closed



86-MV-5-28-533-xxx
5/3-way, center position exhausted



86-MV-5-28-534-xxx
5/3-way, center position pressurized

Please complete: xxx = electrical option

Electrical options

Nominal voltage	Power consumption	Specifics	Plug connection*1	-XXX Manual override on same side of ports 2 and 4
24 V DC	3 W		Form B industrial norm	-M42
220 V AC	3.5 VA		Form B industrial norm	-M57

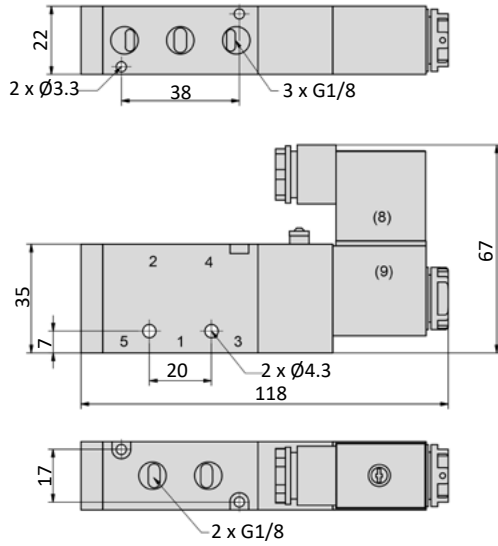
*1 Plug socket with integrated LED are part of delivery

Technical data

Model-no.:	86-MV-5-28-511	86-MV-5-28-520	86-MV-5-28-530	86-MV-5-28-533	86-MV-5-28-534
Operating pressure (bar)	1.5...8	1.5...8	1.5...8	1.5...8	1.5...8
Nominal size (mm)	4.5	4.5	4	4	4
Flow rate (NI/min)	750	750	650	650	650
Response time (ms) at 6 bar	20	20	20	20	20
Weight (kg)	0.212	0.320	0.363	0.363	0.363

Dimensions

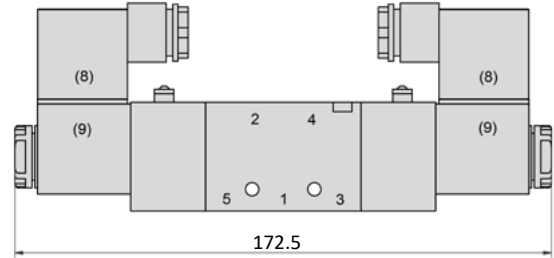
86-MV-5-28-511



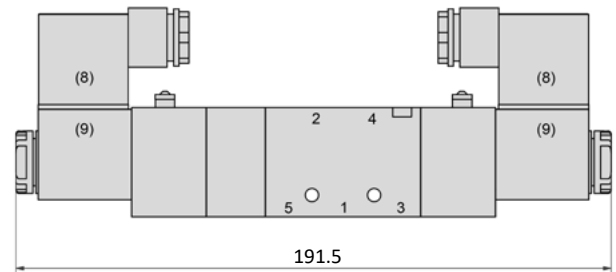
- 1 = pressure inlet
- 2,4 = outlets
- 3,5 = exhausts

Plug socket can be repositioned by 180°.
Solenoid coil can be repositioned by 4 x 90°.

86-MV-5-28-520



86-MV-5-28-53x



Series 86-MV-5-38

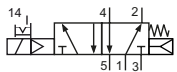
Technical details

Connection	pressure inlets G3/8, exhausts G1/4
Temperature range	-10°C ... +70°C
Medium	Filtered, oil-free and dried compressed air according to ISO 8573-1:2010, Class 7:2:4, instrument air, free of aggressive additives. Alternatively the pressure dew point must be at least 10°C below lowest occurring ambient temperature.
Materials	Body: Al (anodized), plastic, seals: NBR, inner parts: Al, steel and plastic
Protection	IP 65 according to EN 60529

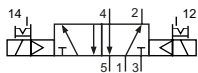


Electrically operated spool valve. The manual override is detent/ non-detent. It is operated manually or by screwdriver.

5/2-way valves

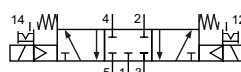


86-MV-5-38-511-xxx
5/2-way, single solenoid, mechanical spring return and air spring return

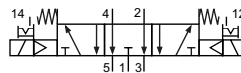


86-MV-5-38-520-xxx
5/2-way, double solenoid

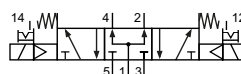
5/3-way valves



86-MV-5-38-530-xxx
5/3-way, center position closed



86-MV-5-38-533-xxx
5/3-way, center position exhausted



86-MV-5-38-534-xxx
5/3-way, center position pressurized

Please complete: xxx = electrical option

Electrical options

Nominal voltage	Power consumption	Specifics	Plug connection*1	-XXX Manual override on same side of ports 2 and 4
24 V DC	3 W		Form B industrial norm	-M42
220 V AC	3.5 VA		Form B industrial norm	-M57

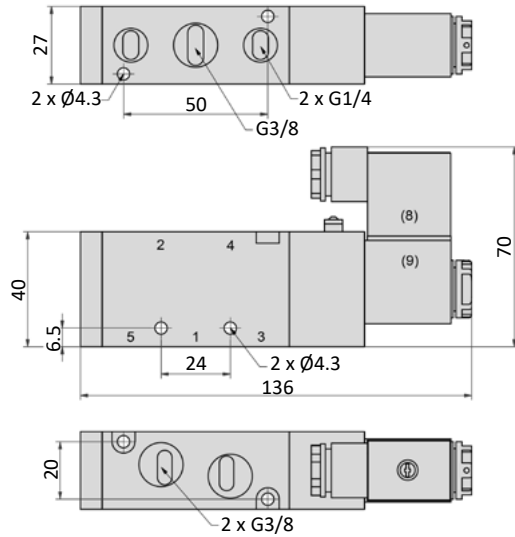
*1 Plug socket with integrated LED are part of delivery

Technical data

Model-no.:	86-MV-5-38-511	86-MV-5-38-520	86-MV-5-38-530	86-MV-5-38-533	86-MV-5-38-534
Operating pressure (bar)	1.5...8	1.5...8	1.5...8	1.5...8	1.5...8
Nominal size (mm)	6	6	5	5	5
Flow rate (NI/min)	1600	1600	980	980	980
Response time (ms) at 6 bar	20	20	20	20	20
Weight (kg)	0.285	0.395	0.454	0.454	0.454

Dimensions

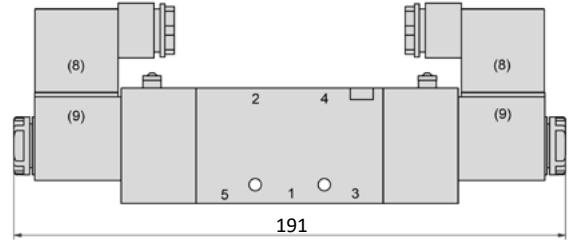
86-MV-5-38-511



- 1 = pressure inlet
- 2,4 = outlets
- 3,5 = exhausts

Plug socket can be repositioned by 180°.
Solenoid coil can be repositioned by 4 x 90°.

86-MV-5-38-520



86-MV-5-38-53x

