

**Technical details**

<b>Operating pressure</b>	1 ... 10 bar
<b>Temperature range</b>	-20°C ... +80°C
<b>Medium</b>	Filtered, oil-free and dried compressed air according to ISO 8573-1:2010, Class 7:2:4, instrument air, free of aggressive additives. Alternatively the pressure dew point must be at least 10°C below lowest occurring ambient temperature.
<b>Materials</b>	Cylinder tube: Al (anodized) End caps: Al-die-cast (painted) Piston rod: stainless steel Seals: PU, NBR (optional FKM)
	Cylinders in accordance with 2014/34/EU (ATEX) available. (Chapter 13)

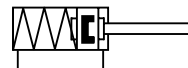


Single acting cylinder with magnetic piston for proximity sensors and built-in cushioning rings. Standard stroke lengths in table below, additional lengths on request.

**Versions**

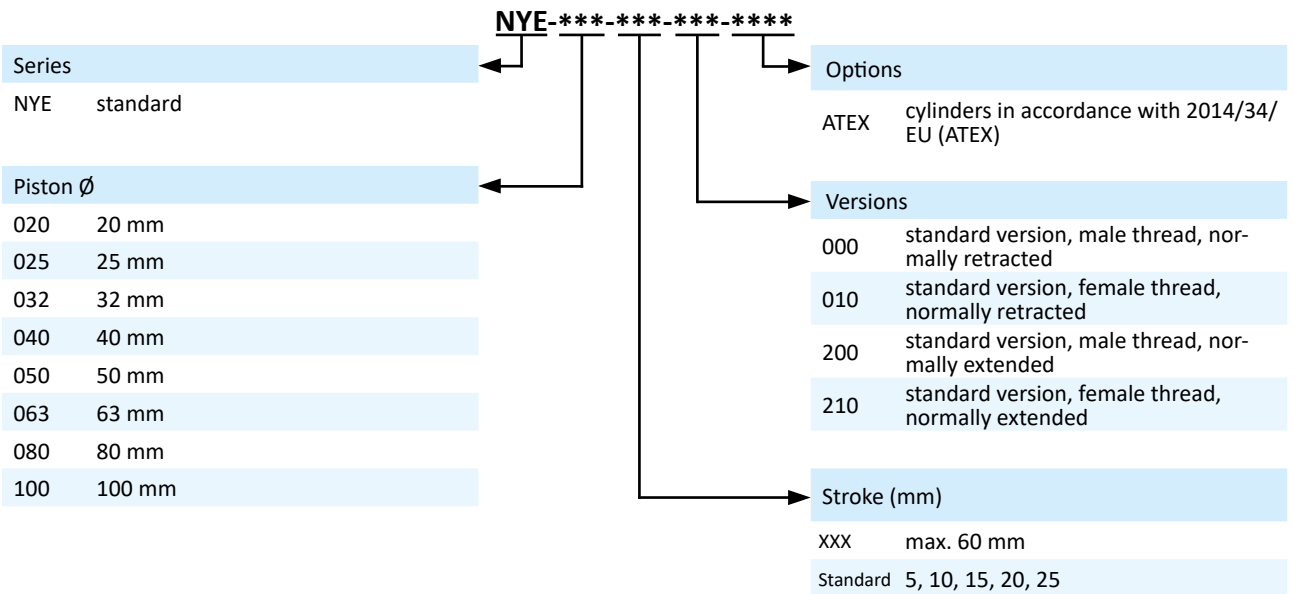


000, 010  
single acting, built-in cushioning rings, with magnetic piston, normally retracted



200, 210  
single acting, built-in cushioning rings, with magnetic piston, normally extended

**Order code**



**Technical data**

Model-no.:	NYE-020-...	NYE-025-...	NYE-032-...	NYE-040-...	NYE-050-...	NYE-063-...	NYE-080-...	NYE-100-...	
<b>Piston Ø (mm)</b>	20	25	32	40	50	63	80	100	
<b>Connection</b>	M5	M5	G1/8	G1/8	G1/8	G1/8	G1/8	G1/8	
<b>Piston rod thread</b>	male M8	M8	M10 x 1.25	M10 x 1.25	M12 x 1.25	M12 x 1.25	M16 x 1.5	M16 x 1.5	
	female M6	M6	M8	M8	M10	M10	M12	M12	
<b>Weight (kg)</b>	0 mm stroke (-x00)*	0.143	0.178	0.240	0.301	0.471	0.661	1.066	1.793
	0 mm stroke (-x10)*	0.131	0.166	0.217	0.278	0.435	0.625	0.996	1.722
	0 mm stroke (-x00)**	0.167	0.202	0.264	0.325	0.495	0.685	1.114	1.841
	0 mm stroke (-x10)**	0.155	0.190	0.241	0.302	0.459	0.649	1.044	1.770
	each 10 mm stroke	0.024	0.028	0.029	0.030	0.048	0.057	0.088	0.115

\* up to 30 mm stroke, \*\* from 35 mm stroke

## Series NYE

### ISO 21287, single acting

#### Technical data

Model-no.:		NYE-020-xxx-0x0	NYE-025-xxx-0x0	NYE-032-xxx-0x0	NYE-040-xxx-0x0
Force at 6 bar and 5 mm stroke (N)	Extension	132 ... 137	223 ... 227	381 ... 386	609 ... 616
	Retraction	33 ... 38	38 ... 42	48 ... 53	63 ... 70
Force at 6 bar and 10 mm stroke (N)	Extension	132 ... 141	223 ... 232	381 ... 392	609 ... 623
	Retraction	29 ... 38	33 ... 42	42 ... 53	56 ... 70
Force at 6 bar and 15 mm stroke (N)	Extension	132 ... 146	223 ... 236	381 ... 397	609 ... 630
	Retraction	24 ... 38	29 ... 42	37 ... 53	49 ... 70
Force at 6 bar and 20 mm stroke (N)	Extension	132 ... 151	223 ... 241	381 ... 403	609 ... 637
	Retraction	19 ... 38	24 ... 42	31 ... 53	42 ... 70
Force at 6 bar and 25 mm stroke (N)	Extension	132 ... 155	223 ... 245	381 ... 408	609 ... 644
	Retraction	15 ... 38	20 ... 42	26 ... 53	35 ... 70

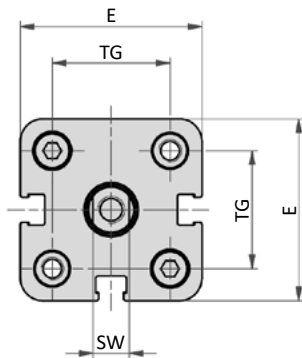
Model-no.:		NYE-050-xxx-0x0	NYE-063-xxx-0x0	NYE-080-xxx-0x0	NYE-100-xxx-0x0
Force at 6 bar and 5 mm stroke (N)	Extension	985 ... 993	1586 ... 1594	2564 ... 2573	4027 ... 4039
	Retraction	67 ... 75	89 ... 97	141 ... 150	202 ... 214
Force at 6 bar and 10 mm stroke (N)	Extension	985 ... 1001	1586 ... 1602	2564 ... 2581	4027 ... 4052
	Retraction	59 ... 75	81 ... 97	133 ... 150	189 ... 214
Force at 6 bar and 15 mm stroke (N)	Extension	985 ... 1008	1586 ... 1610	2564 ... 2590	4027 ... 4064
	Retraction	52 ... 75	73 ... 97	124 ... 150	177 ... 214
Force at 6 bar and 20 mm stroke (N)	Extension	985 ... 1016	1586 ... 1619	2564 ... 2599	4027 ... 4076
	Retraction	44 ... 75	64 ... 97	115 ... 150	165 ... 214
Force at 6 bar and 25 mm stroke (N)	Extension	985 ... 1024	1586 ... 1627	2564 ... 2607	4027 ... 4089
	Retraction	36 ... 75	56 ... 97	107 ... 150	152 ... 214

Model-no.:		NYE-020-xxx-2x0	NYE-025-xxx-2x0	NYE-032-xxx-2x0	NYE-040-xxx-2x0
Force at 6 bar and 5 mm stroke (N)	Extension	33 ... 38	38 ... 42	48 ... 53	63 ... 70
	Retraction	89 ... 94	181 ... 185	320 ... 325	548 ... 555
Force at 6 bar and 10 mm stroke (N)	Extension	29 ... 38	33 ... 42	42 ... 53	56 ... 70
	Retraction	89 ... 98	181 ... 190	320 ... 331	548 ... 562
Force at 6 bar and 15 mm stroke (N)	Extension	24 ... 38	29 ... 42	37 ... 53	49 ... 70
	Retraction	89 ... 103	181 ... 194	320 ... 336	548 ... 569
Force at 6 bar and 20 mm stroke (N)	Extension	19 ... 38	24 ... 42	31 ... 53	42 ... 70
	Retraction	89 ... 108	181 ... 199	320 ... 342	548 ... 576
Force at 6 bar and 25 mm stroke (N)	Extension	15 ... 38	29 ... 42	26 ... 53	35 ... 70
	Retraction	89 ... 112	181 ... 203	320 ... 347	548 ... 583

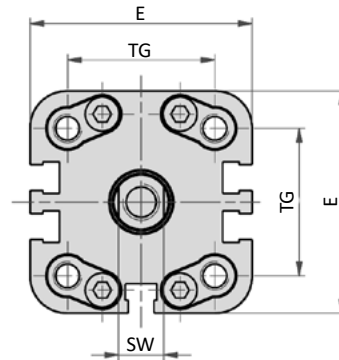
Model-no.:		NYE-050-xxx-2x0	NYE-063-xxx-2x0	NYE-080-xxx-2x0	NYE-100-xxx-2x0
Force at 6 bar and 5 mm stroke (N)	Extension	67 ... 75	89 ... 97	141 ... 150	202 ... 214
	Retraction	877 ... 885	1478 ... 1486	2395 ... 2404	3762 ... 3774
Force at 6 bar and 10 mm stroke (N)	Extension	59 ... 75	81 ... 97	133 ... 150	189 ... 214
	Retraction	877 ... 893	1478 ... 1494	2395 ... 2412	3762 ... 3787
Force at 6 bar and 15 mm stroke (N)	Extension	52 ... 75	73 ... 97	124 ... 150	177 ... 214
	Retraction	877 ... 900	1478 ... 1502	2395 ... 2421	3762 ... 3799
Force at 6 bar and 20 mm stroke (N)	Extension	44 ... 75	64 ... 97	115 ... 150	165 ... 214
	Retraction	877 ... 908	1478 ... 1511	2395 ... 2430	3762 ... 3811
Force at 6 bar and 25 mm stroke (N)	Extension	36 ... 75	56 ... 97	107 ... 150	152 ... 214
	Retraction	877 ... 916	1478 ... 1519	2395 ... 2438	3762 ... 3824

Dimensions series NYE

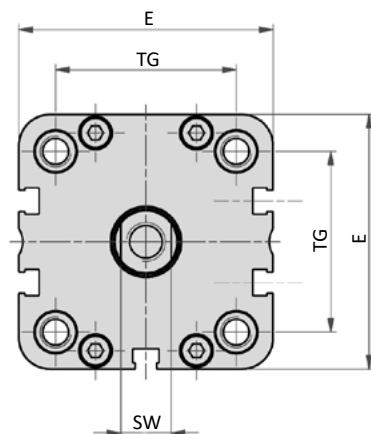
Ø 20 - 25



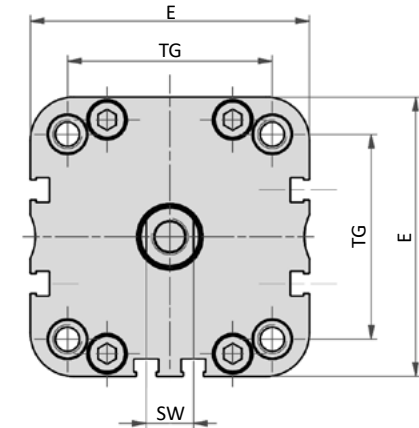
Ø 32



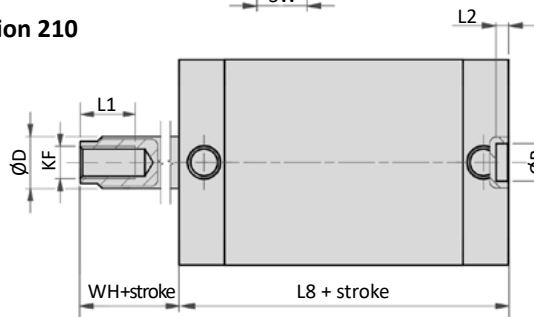
Ø 40 - 50



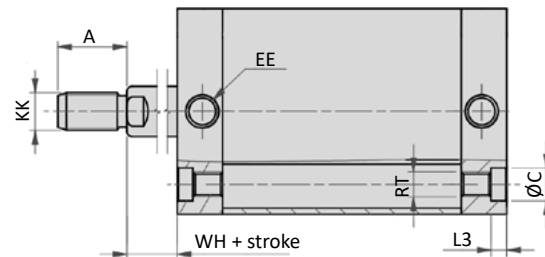
Ø 63 - 100



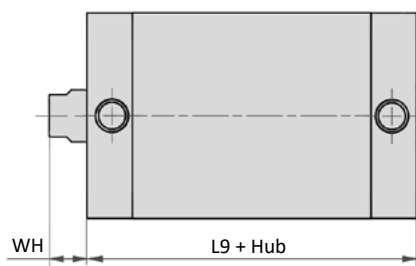
Version 210



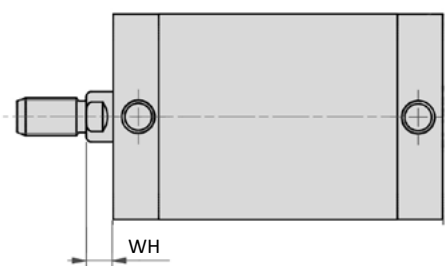
Version 200



Version 010



Version 000



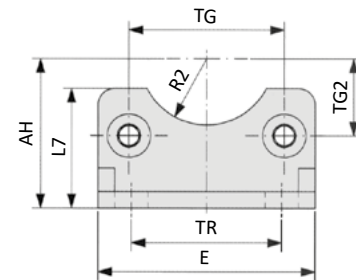
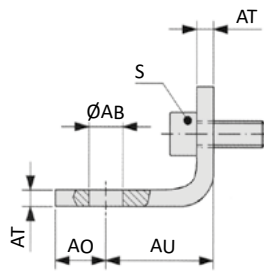
Piston Ø	A	Ø B	Ø C	Ø D	E	EE	KF	KK	L1	L2	L3	L8*	L8**	L9*	L9**	RT	SW	TG	WH
20	16	9	7,5	10	36	M5	M6	M8	15	3	4,5	37	47	37	47	M5	8	22	6,5
25	16	9	7,5	10	40	M5	M6	M8	15	3	4,5	39	49	39	59	M5	8	26	6
32	19	9	9	12	49	G1/8	M8	M10 x 1,25	16	3	5	44	54	44	64	M6	10	32,5	6,5
40	19	9	9	12	54,5	G1/8	M8	M10 x 1,25	16	3	5	45	55	45	65	M6	10	38	7
50	22	12	10,5	16	65,5	G1/8	M10	M12 x 1,25	17	4	5	45	55	45	65	M8	13	46,5	8
63	22	12	10,5	16	77	G1/8	M10	M12 x 1,25	17	4	5	49	59	49	69	M8	13	56,5	8
80	28	12	13,5	20	95,5	G1/8	M12	M16 x 1,5	20	4	3	54	74	54	84	M10	17	72	9
100	28	12	13,5	25	113,5	G1/8	M12	M16 x 1,5	20	4	3	67	87	67	97	M10	22	89	10

\* up to 30 mm stroke, \*\* from 35 mm stroke

## Series NYD

### Mounting accessories

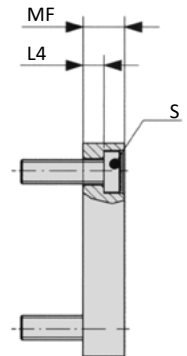
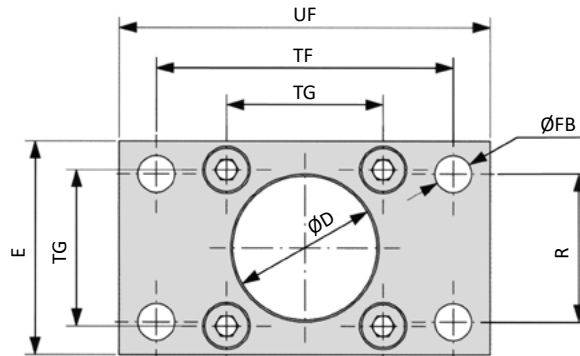
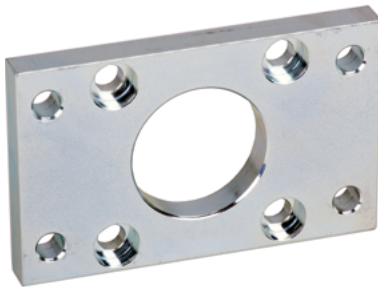
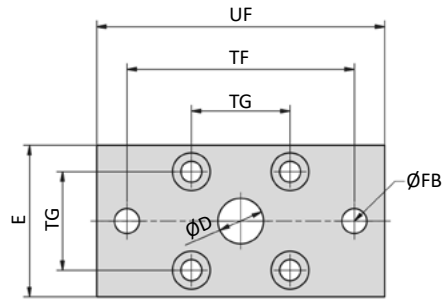
#### XLB-xxx-01 Foot mount



Model-no.:	Ø AB	AH	AO	AU	AT	E	L7	R2	S	TG	TG2	TR
<b>XLB-032-01</b>	7	32	11	24	4	45	30	15	M6 x 16	32.5	16.25	32
<b>XLB-040-01</b>	10	36	8	28	4	52	30	17.5	M6 x 16	38	19	36
<b>XLB-050-01</b>	10	45	15	32	5	65	36	20	M8 x 20	46.5	23.25	45
<b>XLB-063-01</b>	10	50	13	32	5	75	35	22.5	M8 x 20	56.5	28.25	50
<b>XLB-080-01</b>	12	63	14	41	6	95	47	22.5	M10 x 20	72	36	63
<b>XLB-100-01</b>	14.5	71	16	41	6	115	53	27.5	M10 x 20	89	44.5	75
<i>tolerances and adjustments</i>	H14	JS16		± 0.2				H15		± 0.2 *± 0.3		JS14

material: steel, zinc plated; 2 x 2 screws in accordance with EN ISO 4762 are included.

**NXB-xxx-02, XLB-xxx-02 Flange mount**

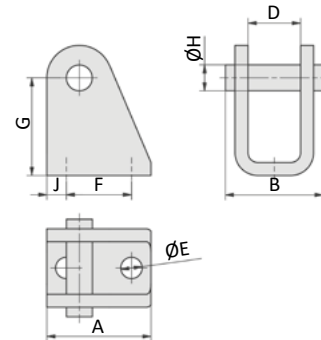


Model-no.:	Ø D	E	Ø FB	L4	MF	R	S	TF	TG	UF
<b>NXB-020-02</b>	12	36	6.6	4.6	10	-	M5 x 20	55*	22	70
<b>NXB-025-02</b>	12	40	6.6	4.6	10	-	M5 x 20	60*	26	76
<b>XLB-032-02</b>	30	45	7	5	10	32	M6 x 20	64	32.5	80
<b>XLB-040-02</b>	35	52	9	5	10	36	M6 x 20	72	38	90
<b>XLB-050-02</b>	40	65	9	6.5	12	45	M8 x 20	90	46.5	110
<b>XLB-063-02</b>	45	75	9	6.5	12	50	M8 x 20	100	56.5	120
<b>XLB-080-02</b>	45	95	12	9	16	63	M10 x 25	126	72	150
<b>XLB-100-02</b>	55	115	14	9	16	75	M10 x 25	150	89	170
<i>tolerances and adjustments</i>	H11		H13	- 0.5	JS14	JS14		*JS13 JS14	± 0.2	

material: steel, zinc plated; 4 screws in accordance with DIN 7984 are included.

## Series NYD Mounting accessories

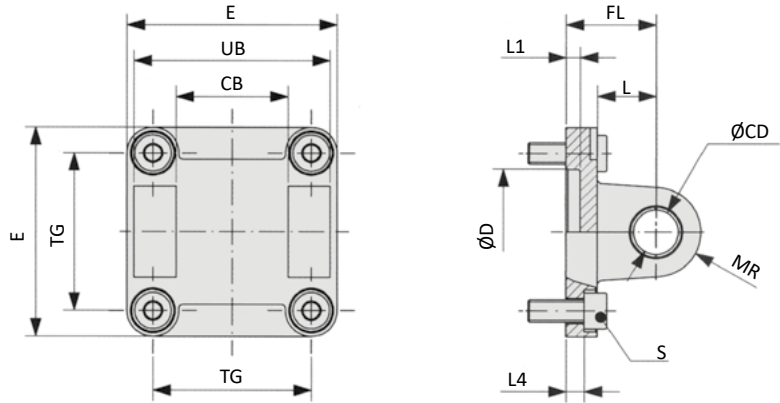
### RC-xx Clevis mount



Model-no.:	A	B	D	Ø E	F	G	Ø H	J
<b>RC-30</b>	32	30	16.1	6.6	20	30	8	6

material: steel, zinc plated, 2 snap rings are included.

### XLB-xxx-04 Clevis mount with bushing



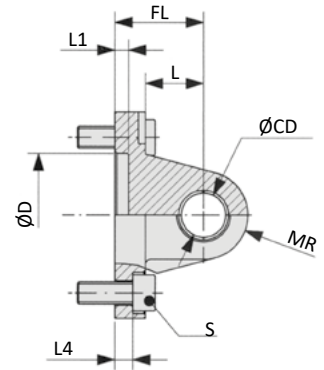
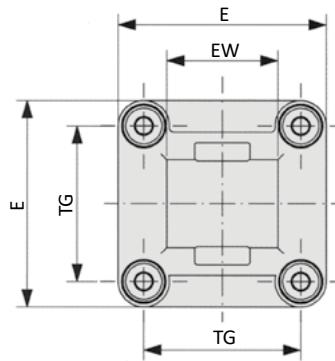
Inclusive clevis pin  
order no: **XLB-xxx-48**

Model-no.:	CB	Ø CD	Ø D	E	FL	L	L1	L4	MR	S	TG	UB
<b>XLB-032-04</b>	26	10	30	45	22	13	5	5.5	10	M6 x 20	32.5	45
<b>XLB-040-04</b>	28	12	35	52	25	16	5	5.5	12	M6 x 20	38	52
<b>XLB-050-04</b>	32	12	40	65	27	16	5	6.5	12	M8 x 20	46.5	60
<b>XLB-063-04</b>	40	16	45	75	32	21	5	6.5	16	M8 x 20	56.5	70
<b>XLB-080-04</b>	50	16	45	95	36	22	5	10	16	M10 x 25	72	90
<b>XLB-100-04</b>	60	20	55	115	41	27	5	10	20	M10 x 25	89	110
<i>tolerances and adjustments</i>	H14	H9	H11		± 0.2			± 0.5			± 0.2	h13

materials: Al, bushing steel and PTFE; 4 screws in accordance with EN ISO 4762 are included.

## Series NYD Mounting accessories

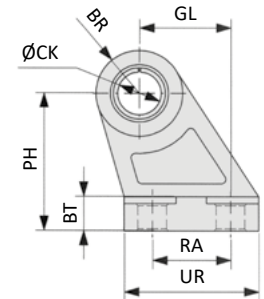
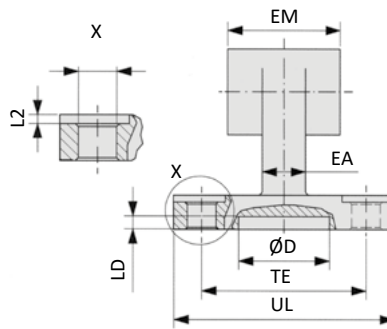
### NXB-xxx-04, XLB-xxx-05 Swivel mount



Model-no.:	Ø CD	Ø D	E	EW	FL	L	L1	L4	MR	S	TG
NXB-020-04	8	12	34	16	20	14	3	2.6	8	M5 x 16	22
NXB-025-04	8	12	38	16	20	14	3	2.6	8	M5 x 16	26
XLB-032-05	10	30	45	26	22	13	5	5.5	10	M6 x 20	32.5
XLB-040-05	12	35	52	28	25	16	5	5.5	12	M6 x 20	38
XLB-050-05	12	40	65	32	27	16	5	6.5	12	M8 x 20	46.5
XLB-063-05	16	45	75	40	32	21	5	6.5	16	M8 x 20	56.5
XLB-080-05	16	45	95	50	36	22	5	10	16	M10 x 25	72
XLB-100-05	20	55	115	60	41	27	5	10	20	M10 x 25	89
<i>tolerances and adjustments</i>	H9	H11			± 0.2			± 0.5			± 0.2

materials: Al, bushing steel and PTFE (only XLB); 4 screws in accordance with EN ISO 4762 are included.

### XLB-xxx-06 Swivel mount 90°



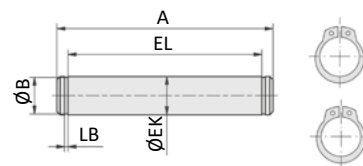
Model-no.:	BR	BT	ØCK	Ø D	EA	EM	GL	ØHB	L2	LD	PH	RA	TE	UL	UR
XLB-032-06	10	8	10	21	10	26	21	6.6	1.6	3	32	18	38	51	31
XLB-040-06	11	10	12	21	15	28	24	6.6	1.6	3	36	22	41	54	35
XLB-050-06	13	12	12	21	16	32	33	9	1.6	3	45	30	50	65	45
XLB-063-06	15	14	16	21	16	40	37	9	1.6	3	50	35	52	67	50
XLB-080-06	15	14	16	21	20	50	47	11	2.5	3	63	40	66	86	60
XLB-100-06	19	17	20	11	20	60	55	11	2.5	3	71	50	76	96	70
<i>tolerances and adjustments</i>			H9				JS14	H13			JS15	JS14	JS14		

material: Al, bushing steel and PTFE

## Series NYD

### Mounting accessories

#### XLB-xxx-08 Clevis pin

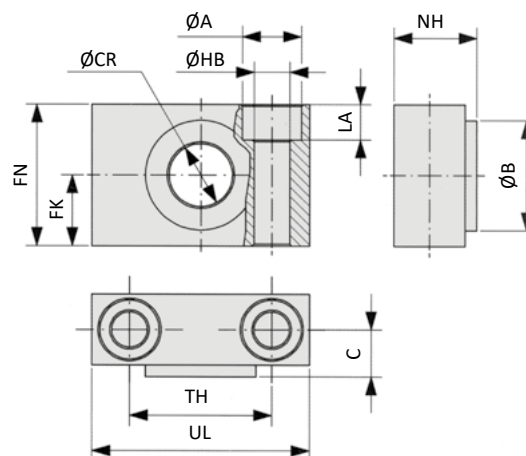
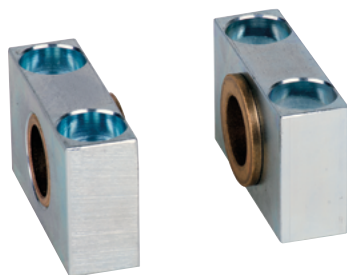


Model-no.:	A	Ø B	Ø EK	EL	LB
XLB-032-08	53	9.6	10	46	1.1
XLB-040-08	60	11.5	12	53	1.1
XLB-050-08	68	11.5	12	61	1.1
XLB-063-08	78	15.2	16	71	1.1
XLB-080-08	98	15.2	16	91	1.1
XLB-100-08	118	19	20	111	1.3

tolerances and adjustments

material: steel, zinc plated; 2 snap rings are included.  
 e8 + 2

#### XLB-xxx-09 Bearing block



Model-no.:	Ø A	Ø B	C	Ø CR	FK	FN	Ø HB	LA	NH	TH	UL
XLB-032-09	11	22	10.5	12	15	30	6.6	7	18	32	46
XLB-040-09	15	28	12	16	18	36	9	9	21	36	55
XLB-063-09	18	32	13	20	20	40	11	11	23	42	65
XLB-100-09	20	39	16	25	25	50	14	13	28.5	50	75

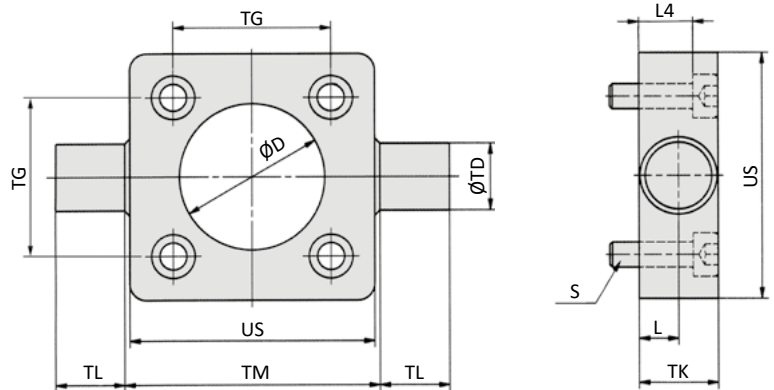
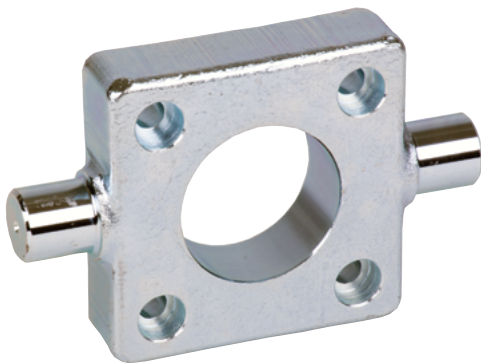
tolerances and adjustments

materials: Al, bronze bushing  
 H9 ± 0.1 H13 ± 0.2



## Series NYD Mounting accessories

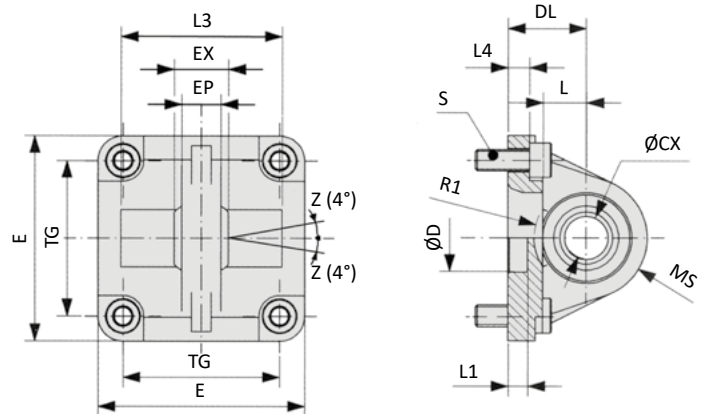
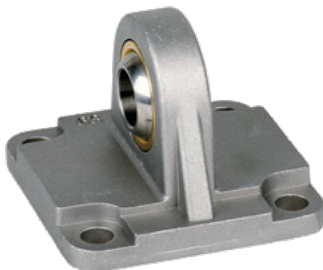
### XLB-xxx-11 Trunnion mount



Model-no.:	Ø D	L	L4	S	Ø TD	TG	TK	TL	Ø TM	US
XLB-032-11	30	6.5	8	M6 x 20	12	32.5	14	12	50	46
XLB-040-11	35	9	13	M6 x 25	16	38	19	16	63	59
XLB-050-11	40	9	11	M8 x 25	16	46.5	19	16	75	69
XLB-063-11	45	11.5	16	M8 x 30	20	56.5	24	20	90	84
XLB-080-11	45	11.5	14	M10 x 30	20	72	24	20	110	102
XLB-100-11	55	14	19	M10 x 35	25	89	29	25	132	125
<i>tolerances and adjustments</i>	H 11	+ 0.2			e9	± 0.2		h14	h14	

material: steel, zinc plated; 4 screws in accordance with EN ISO 4762 are included.

### XLB-xxx-12 Swivel mount with spherical bearing

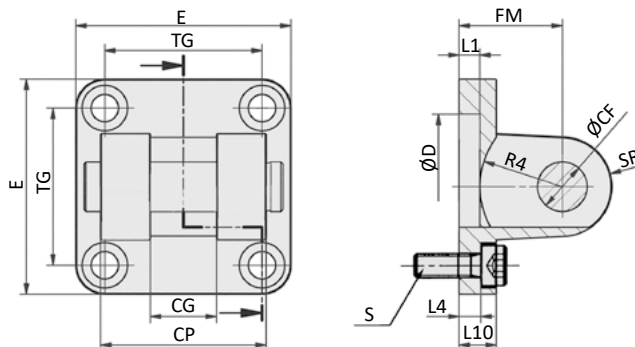


Model-no.:	Ø CX	Ø D	DL	E	EP	EX	L	L1	L3	L4	MS	R1	S	TG
XLB-032-12	10	30	22	45	10.5	14	12	7	-	5.5	16	-	M6 x 20	32.5
XLB-040-12	12	35	25	52	12	16	15	7	-	5.5	18	-	M6 x 20	38
XLB-050-12	16	40	27	65	15	21	15	7	51	6.5	21	19	M8 x 20	46.5
XLB-063-12	16	45	32	75	15	21	20	7	-	6.5	23	-	M8 x 20	56.5
XLB-080-12	20	45	36	95	18	25	20	9	74	10	28	24	M10 x 25	72
XLB-100-12	20	55	41	115	18	25	25	9	-	10	30	-	M10 x 25	89
<i>tolerances and adjustments</i>	H7	H11	± 0.2			± 0.1				± 0.5				± 0.2

materials: Al, bearing steel, bronze bushing; 4 screws in accordance with EN ISO 4762 are included.

## Series NYD Mounting accessories

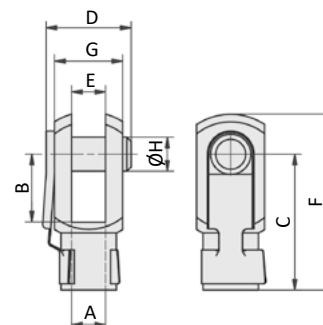
### XLB-xxx-14 Clevis mount small with pin



Model-no.:	Ø CF	CG	CP	Ø D	E	FM	L1	L4	L10	R4	S	SR	TG
<b>XLB-032-14</b>	10	14	34	30	45	22	5	5.5	9	17	M6 x 20	10	32.5
<b>XLB-040-14</b>	12	16	40	35	52	25	5	5.5	9	20	M6 x 20	12	38
<b>XLB-050-14</b>	16	21	45	40	65	27	5	6.5	11	22	M8 x 20	14	46.5
<b>XLB-063-14</b>	16	21	51	45	75	32	5	6.5	11	25	M8 x 20	18	56.5
<b>XLB-080-14</b>	20	25	65	45	95	36	5	10	14	30	M10 x 25	20	72
<b>XLB-100-14</b>	20	25	75	55	115	41	5	10	14	32	M10 x 25	22	89
<i>tolerances and adjustments</i>	F7	D10	d12	H11		± 0.2		± 0.5					± 0.2

materials: Al, bushing steel and PTFE, Clevis pin aus steel, zinc plated; 4 screws in accordance with EN ISO 4762 are included.

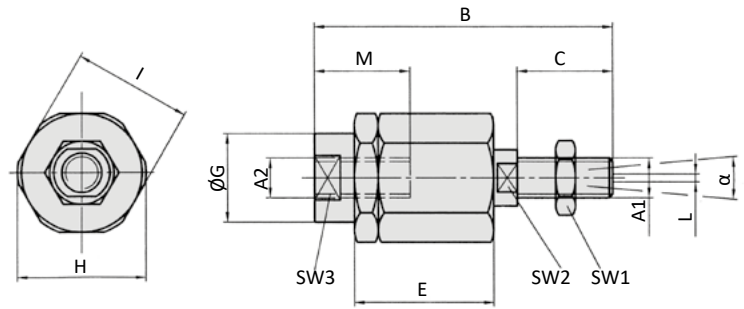
### RD-xx, FD-xx Rod clevis



Model-no.:	for cylinder Ø	A	B	C	D	E	F	G	Ø H
<b>RD-20</b>	20, 25	M8	16	32	22	8	42	16	8
<b>RD-25</b>	32, 40	M10 x 1.25	20	40	26	10	52	20	10
<b>FD-40</b>	50, 63	M12 x 1.25	24	48	32	12	62	24	12
<b>FD-63</b>	80, 100	M16 x 1.5	32	64	40	16	83	32	16

material: steel, zinc plated

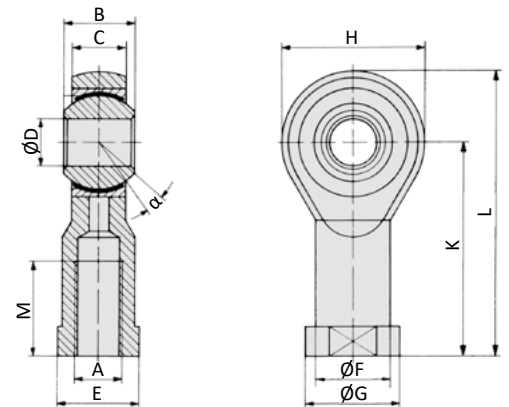
**FK-xx Flexible coupling**



Model-no.:	for cylinder	A1, A2	B	C	D	E	Ø G	H	I	L	M	SW1	SW2	SW3	α
<b>FK-20</b>	20, 25	M8	57	21	5	26	12.5	19	17	2	16	13	7	11	8°
<b>FK-32</b>	32, 40	M10 x 1.25	71.5	20	7.5	35	22	32	30	2	22	17	12	19	8°
<b>FK-40</b>	50, 63	M12 x 1.25	75	24	7.5	35	22	32	30	2	22	19	12	19	8°
<b>FK-63</b>	80, 100	M16 x 1.5	104	32	10	53	32	45	41	2	30	24	20	27	6°

material: steel, zinc plated

**RO-xx, FO-xx Rod eye**

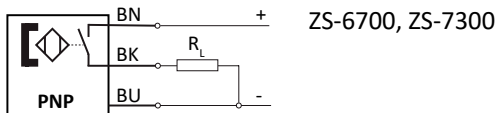
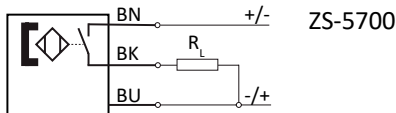
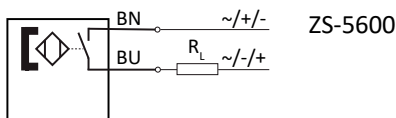


Model-no.:	for cylinder	A	B	C	Ø D	E	Ø F	Ø G	H	K	L	M	α
<b>RO-20</b>	20, 25	M8	12	9	8	14	12.5	16	24	36	48	16	14°
<b>RO-25</b>	32, 40	M10 x 1.25	14	10.5	10	17	15	19	28	43	57	20	13°
<b>FO-40</b>	50, 63	M12 x 1.25	16	12	12	19	17.5	22	32	50	66	22	13°
<b>FO-63</b>	80, 100	M16 x 1.5	21	15	16	22	22	27	42	64	85	28	15°

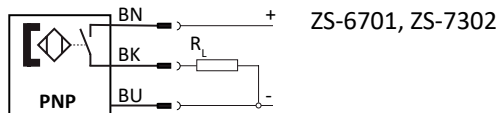
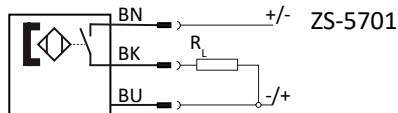
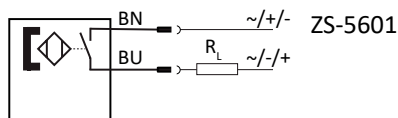
materials: steel, zinc plated, bearing steel, bronze bushing

## Series ZS Proximity sensors





### Proximity sensors with cable



### Proximity sensors with plug



### Technical data

Model-no.:	ZS-5600	ZS-5601	ZS-5700	ZS-5701
				
<b>Design</b>	2-pole Reed sensor	2-pole Reed sensor	3-pole Reed sensor	3-pole Reed sensor
<b>Contact function</b>	NO	NO	NO	NO
<b>Rated operational voltage</b>	5 ... 240 V AC / DC	5 ... 60 V AC / DC	5 ... 30 V DC	5 ... 30 V DC
<b>Rated operational current <math>I_E</math></b>	3 ... 100 mA	3 ... 100 mA	≤ 500 mA	≤ 500 mA
<b>Max. voltage drop at <math>I_E</math></b>	≤ 2.5	≤ 2.5	≤ 0.1	≤ 0.1
<b>Breaking capacity</b>	10 W	10 W	10 W	10 W
<b>Cable length</b>	3 m	0.3 m with M8 connection	5 m	0.3 m with M8 connection
<b>Temperature range</b>	-10 ... +70°C	-10 ... +70°C	-10 ... +70°C	-10 ... +70°C
<b>Protection</b>	IP 67	IP 67	IP 67	IP 67
<b>Switching status indication</b>	LED red	LED red	LED yellow	LED yellow

Model-no.:	ZS-6700	ZS-6701	ZS-7300	ZS-7302
				
<b>Design</b>	3-pole inductive	3-pole inductive	3-pole inductive	3-pole inductive
<b>Contact function</b>	NO	NO	NO	NO
<b>Output</b>	PNP	PNP	PNP	PNP
<b>Rated operational voltage</b>	5 ... 30 V DC	5 ... 30 V DC	10 ... 30 V DC	10 ... 30 V DC
<b>Rated operational current <math>I_E</math></b>	≤ 200 mA	≤ 200 mA	≤ 100 mA	≤ 100 mA
<b>Max. voltage drop at <math>I_E</math></b>	≤ 1.0	≤ 1.0	≤ 2.5	≤ 2.5
<b>Breaking capacity</b>	6 W	6 W	3 W	3 W
<b>Cable length</b>	3 m	0.3 m with M8 connection	6 m	0.3 m with M12 connection
<b>Temperature range</b>	-10 ... +70°C	-10 ... +70°C	-20 ... +60°C	-20 ... +60°C
<b>Protection</b>	IP 67	IP 67	IP 67	IP 67
<b>Switching status indication</b>	LED green	LED green	LED yellow	LED yellow
	-	-	II 3G Ex nA T4 II 3D Ex tD A22 IP67 T 125°C	II 3D Ex tc IIIC T125°C Dc X


**Cable with bushing for proximity sensors**

<b>Model-no.:</b>	KA-30	KA-50	KA-51	KA-100	KA-101
<b>Connection</b>	M8, snap-in	M8, snap-in	M8, snap-in	M8, snap-in	M8, snap-in
<b>Version</b>	straight	straight	elbow 90°	straight	elbow 90°
<b>Cable length</b>	3 m	5 m	5 m	10 m	10 m

**Mounting**

The sensors are mounted at the groove of the cylinder profile. It is fixed by turning the fixing screw at the sensor clockwise. The cover stripe XLB-011 (see below) can be used for protecting the sensor cable.

**Cover for sensor groove**

<b>Model-no.:</b>	XLB-011
	
<b>Design</b>	plastic profile, 50 cm length, blue
<b>For series</b>	XL, NXD, NXE, NYD, NYE, NYSE, LX