

Technical details

| | |
|---------------------------|---|
| Operating pressure | 1 ... 10 bar |
| Temperature range | -10°C ... +80°C |
| Medium | Filtered, oil-free and dried compressed air according to ISO 8573-1:2010, Class 7:2:4, instrument air, free of aggressive additives. Alternatively the pressure dew point must be at least 10°C below lowest occurring ambient temperature. |
| Materials | Cylinder tube: Al (anodized) End caps: Al (anodized) Piston rod: stainless steel Seals: PU, NBR (optional FKM) |



Single acting pneumatic cylinder with magnetic piston for proximity sensors and built-in cushioning rings. Standard stroke lengths in table below, additional lengths on request.

Versions

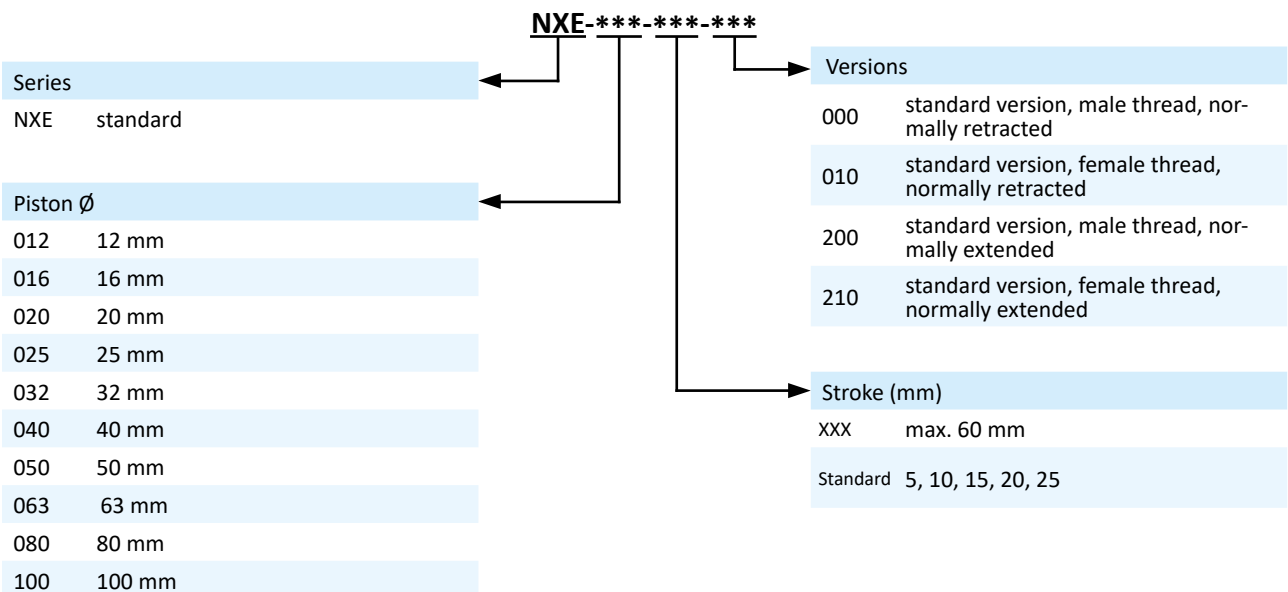


000, 010
single acting, built-in cushioning rings,
with magnetic piston,
normally retracted



200, 210
single acting, built-in cushioning rings,
with magnetic piston,
normally extended

Order code



| | | | | | |
|--------------------------|----------------------|-------------|------------------|------------------|------------------|
| Model-no.: | NXE-012-... | NXE-016-... | NXE-020-... | NXE-025-... | NXE-032-... |
| Piston Ø (mm) | 12 | 16 | 20 | 25 | 32 |
| Connection | M5 | M5 | M5 | M5 | G1/8 |
| Piston rod thread | male M6 female M3 | M8 M4 | M10 x 1.25 M5 | M10 x 1.25 M5 | M10 x 1.25 M6 |

| | | | | | |
|--------------------------|------------------------------|------------------|------------------|------------------|------------------|
| Model-no.: | NXE-040-... | NXE-050-... | NXE-063-... | NXE-080-... | NXE-100-... |
| Piston Ø (mm) | 40 | 50 | 63 | 80 | 100 |
| Connection | G1/8 | G1/8 | G1/8 | G1/8 | G1/4 |
| Piston rod thread | male M10 x 1.25 female M6 | M12 x 1.25 M8 | M12 x 1.25 M8 | M16 x 1.5 M10 | M20 x 1.5 M12 |

Series NXE

single acting

Technical data

| Model-no.: | NXE- | 012-... | 016-... | 020-... | 025-... | 032-... | 040-... | 050-... | 063-... | 080-... | 100-... |
|----------------|----------------------|---------|---------|---------|---------|---------|---------|---------|---------|---------|---------|
| Weight (kg) | 0 mm stroke (-200)* | 0.078 | 0.082 | 0.135 | 0.153 | 0.275 | 0.376 | 0.502 | 0.776 | 1.453 | 2.659 |
| | 0 mm stroke (-210)* | 0.074 | 0.074 | 0.121 | 0.139 | 0.261 | 0.362 | 0.481 | 0.755 | 1.402 | 2.560 |
| | 0 mm stroke (-200)** | 0.095 | 0.099 | 0.162 | 0.215 | 0.357 | 0.476 | 0.628 | 0.932 | 1.807 | 3.139 |
| | 0 mm stroke (-210)** | 0.091 | 0.091 | 0.148 | 0.201 | 0.343 | 0.462 | 0.607 | 0.911 | 1.756 | 3.040 |
| | each 100 mm stroke | 0.170 | 0.170 | 0.270 | 0.310 | 0.410 | 0.500 | 0.630 | 0.780 | 1.180 | 1.600 |

* up to 30 mm stroke, ** ab 35 mm stroke

| Model-no.: | | NXE-012-xxx-0x0 | NXE-016-xxx-0x0 | NXE-020-xxx-0x0 | NXE-025-xxx-0x0 | NXE-032-xxx-0x0 |
|--|------------|-----------------|-----------------|-----------------|-----------------|-----------------|
| Force at 6 bar and 5 mm stroke (N) | Extension | 81 ... 83 | 81 ... 83 | 133 ... 136 | 224 ... 227 | 382 ... 386 |
| | Retraction | 26 ... 28 | 26 ... 28 | 34 ... 37 | 38 ... 41 | 48 ... 52 |
| Force at 6 bar and 10 mm stroke (N) | Extension | 81 ... 86 | 81 ... 86 | 133 ... 139 | 224 ... 230 | 382 ... 389 |
| | Retraction | 23 ... 28 | 23 ... 28 | 31 ... 37 | 35 ... 41 | 45 ... 52 |
| Force at 6 bar and 15 mm stroke (N) | Extension | 81 ... 88 | 81 ... 88 | 133 ... 142 | 224 ... 233 | 382 ... 393 |
| | Retraction | 21 ... 28 | 21 ... 28 | 28 ... 37 | 32 ... 41 | 41 ... 52 |
| Force at 6 bar and 20 mm stroke (N) | Extension | 81 ... 90 | 81 ... 90 | 133 ... 145 | 224 ... 236 | 382 ... 397 |
| | Retraction | 19 ... 28 | 19 ... 28 | 25 ... 37 | 29 ... 41 | 38 ... 52 |
| Force at 6 bar and 25 mm stroke (N) | Extension | 81 ... 92 | 81 ... 92 | 133 ... 148 | 224 ... 239 | 382 ... 400 |
| | Retraction | 17 ... 28 | 17 ... 28 | 22 ... 37 | 26 ... 41 | 34 ... 52 |

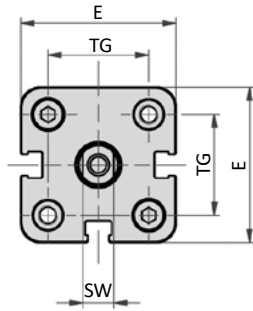
| Model-no.: | | NXE-040-xxx-0x0 | NXE-050-xxx-0x0 | NXE-063-xxx-0x0 | NXE-080-xxx-0x0 | NXE-100-xxx-0x0 |
|--|------------|-----------------|-----------------|-----------------|-----------------|-----------------|
| Force at 6 bar and 5 mm stroke (N) | Extension | 611 ... 616 | 992 ... 997 | 1588 ... 1594 | 2568 ... 2574 | 4031 ... 4041 |
| | Retraction | 63 ... 68 | 67 ... 75 | 89 ... 95 | 140 ... 147 | 200 ... 210 |
| Force at 6 bar and 10 mm stroke (N) | Extension | 611 ... 621 | 992 ... 1003 | 1588 ... 1600 | 2568 ... 2580 | 4031 ... 4051 |
| | Retraction | 58 ... 68 | 61 ... 75 | 83 ... 95 | 134 ... 147 | 190 ... 210 |
| Force at 6 bar and 15 mm stroke (N) | Extension | 611 ... 626 | 992 ... 1008 | 1588 ... 1606 | 2568 ... 2586 | 4031 ... 4061 |
| | Retraction | 53 ... 68 | 56 ... 75 | 77 ... 95 | 128 ... 147 | 180 ... 210 |
| Force at 6 bar and 20 mm stroke (N) | Extension | 611 ... 631 | 992 ... 1013 | 1588 ... 1612 | 2568 ... 2593 | 4031 ... 4071 |
| | Retraction | 48 ... 68 | 51 ... 75 | 71 ... 95 | 121 ... 147 | 170 ... 210 |
| Force at 6 bar and 25 mm stroke (N) | Extension | 611 ... 636 | 992 ... 1018 | 1588 ... 1618 | 2568 ... 2599 | 4031 ... 4081 |
| | Retraction | 43 ... 68 | 45 ... 75 | 65 ... 95 | 115 ... 147 | 160 ... 210 |

| Model-no.: | | NXE-012-xxx-2x0 | NXE-016-xxx-2x0 | NXE-020-xxx-2x0 | NXE-025-xxx-2x0 | NXE-032-xxx-2x0 |
|--|------------|-----------------|-----------------|-----------------|-----------------|-----------------|
| Force at 6 bar and 5 mm stroke (N) | Extension | 26 ... 28 | 26 ... 28 | 34 ... 37 | 38 ... 41 | 48 ... 52 |
| | Retraction | 53 ... 55 | 53 ... 55 | 133 ... 136 | 224 ... 227 | 382 ... 386 |
| Force at 6 bar and 10 mm stroke (N) | Extension | 23 ... 28 | 23 ... 28 | 31 ... 37 | 35 ... 41 | 45 ... 52 |
| | Retraction | 53 ... 58 | 53 ... 58 | 133 ... 139 | 224 ... 230 | 382 ... 389 |
| Force at 6 bar and 15 mm stroke (N) | Extension | 21 ... 28 | 21 ... 28 | 28 ... 37 | 32 ... 41 | 41 ... 52 |
| | Retraction | 53 ... 60 | 53 ... 60 | 133 ... 142 | 224 ... 233 | 382 ... 393 |
| Force at 6 bar and 20 mm stroke (N) | Extension | 19 ... 28 | 19 ... 28 | 25 ... 37 | 29 ... 41 | 38 ... 52 |
| | Retraction | 53 ... 62 | 53 ... 62 | 133 ... 145 | 224 ... 236 | 382 ... 397 |
| Force at 6 bar and 25 mm stroke (N) | Extension | 17 ... 28 | 17 ... 28 | 22 ... 37 | 26 ... 41 | 34 ... 52 |
| | Retraction | 53 ... 64 | 53 ... 64 | 133 ... 148 | 224 ... 239 | 382 ... 400 |

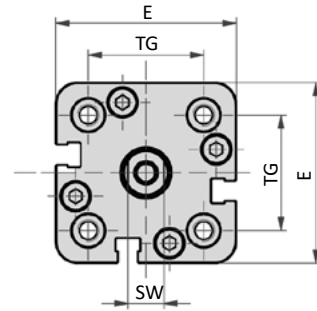
| Model-no.: | | NXE-040-xxx-2x0 | NXE-050-xxx-2x0 | NXE-063-xxx-2x0 | NXE-080-xxx-2x0 | NXE-100-xxx-2x0 |
|--|------------|-----------------|-----------------|-----------------|-----------------|-----------------|
| Force at 6 bar and 5 mm stroke (N) | Extension | 63 ... 68 | 67 ... 75 | 89 ... 95 | 140 ... 147 | 200 ... 210 |
| | Retraction | 611 ... 616 | 992 ... 997 | 1588 ... 1594 | 2568 ... 2574 | 4031 ... 4041 |
| Force at 6 bar and 10 mm stroke (N) | Extension | 58 ... 68 | 61 ... 75 | 83 ... 95 | 134 ... 147 | 190 ... 210 |
| | Retraction | 611 ... 621 | 992 ... 1003 | 1588 ... 1600 | 2568 ... 2580 | 4031 ... 4051 |
| Force at 6 bar and 15 mm stroke (N) | Extension | 53 ... 68 | 56 ... 75 | 77 ... 95 | 128 ... 147 | 180 ... 210 |
| | Retraction | 611 ... 626 | 992 ... 1008 | 1588 ... 1606 | 2568 ... 2586 | 4031 ... 4061 |
| Force at 6 bar and 20 mm stroke (N) | Extension | 48 ... 68 | 51 ... 75 | 71 ... 95 | 121 ... 147 | 170 ... 210 |
| | Retraction | 611 ... 631 | 992 ... 1013 | 1588 ... 1612 | 2568 ... 2593 | 4031 ... 4071 |
| Force at 6 bar and 25 mm stroke (N) | Extension | 43 ... 68 | 45 ... 75 | 65 ... 95 | 115 ... 147 | 160 ... 210 |
| | Retraction | 611 ... 636 | 992 ... 1018 | 1588 ... 1618 | 2568 ... 2599 | 4031 ... 4081 |

Dimensions series NXE

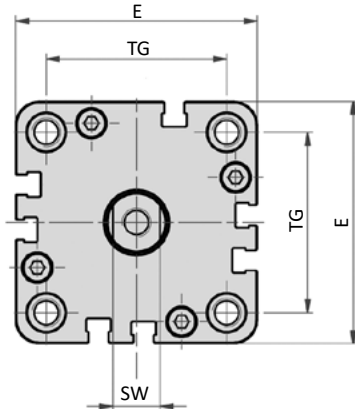
Ø 12 - 25



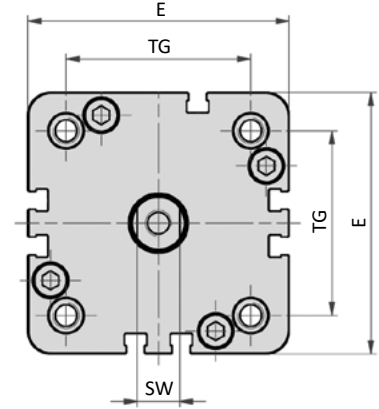
Ø 32-40



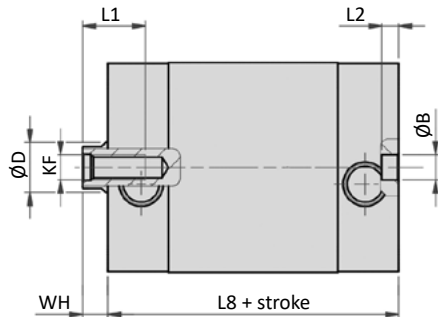
Ø 50



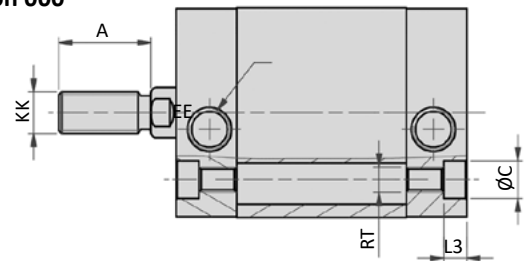
Ø 63 - 100



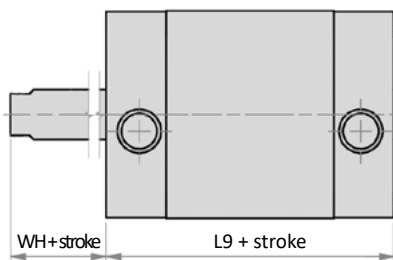
Version 010



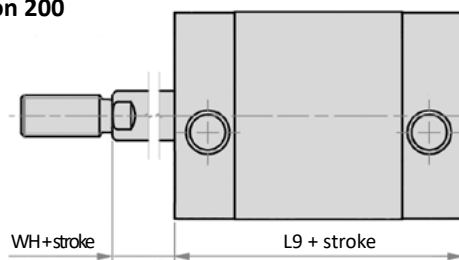
Version 000



Version 210



Version 200

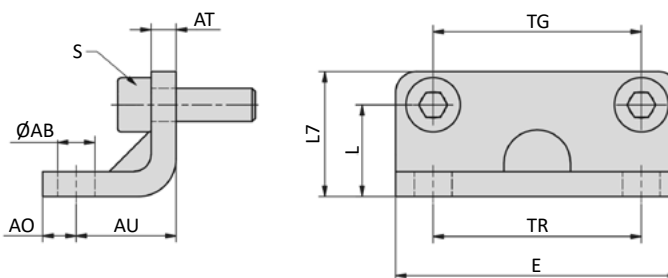


| Piston Ø | A | Ø B | Ø C | Ø D | E | EE | KF | KK | L1 | L2 | L3 | L8* | L8** | L9* | L9** | RT | SW | TG | WH |
|----------|----|-----|------|-----|-----|------|-----|------------|----|----|-----|------|------|------|------|-----|----|-----|-----|
| 12 | 16 | 6 | 6 | 8 | 29 | M5 | M3 | M6 | 6 | 4 | 3.5 | 38 | 48 | 38 | 48 | M4 | 5 | 18 | 4.5 |
| 16 | 20 | 6 | 6 | 8 | 29 | M5 | M4 | M8 | 8 | 4 | 3.5 | 38 | 48 | 38 | 48 | M4 | 6 | 18 | 4.5 |
| 20 | 22 | 6 | 7.5 | 10 | 36 | M5 | M5 | M10 x 1.25 | 10 | 4 | 4.5 | 38 | 48 | 38 | 48 | M5 | 8 | 22 | 4.5 |
| 25 | 22 | 6 | 7.5 | 10 | 40 | M5 | M5 | M10 x 1.25 | 10 | 4 | 4.5 | 39.5 | 59.5 | 39.5 | 49.5 | M5 | 8 | 26 | 5.5 |
| 32 | 22 | 6 | 9 | 12 | 50 | G1/8 | M6 | M10 x 1.25 | 12 | 4 | 5.5 | 44.5 | 64.5 | 44.5 | 54.5 | M6 | 10 | 32 | 6 |
| 40 | 22 | 6 | 9 | 12 | 58 | G1/8 | M6 | M10 x 1.25 | 12 | 4 | 5.5 | 45.5 | 65.5 | 45.5 | 55.5 | M6 | 10 | 42 | 6.5 |
| 50 | 24 | 6 | 10.5 | 16 | 67 | G1/8 | M8 | M12 x 1.25 | 12 | 4 | 6.5 | 45.5 | 65.5 | 45.5 | 55.5 | M8 | 13 | 50 | 7.5 |
| 63 | 24 | 8 | 13.5 | 16 | 80 | G1/8 | M8 | M12 x 1.25 | 14 | 4 | 8.5 | 50 | 70 | 50 | 60 | M10 | 13 | 62 | 7.5 |
| 80 | 32 | 8 | 13.5 | 20 | 100 | G1/8 | M10 | M16 x 1.5 | 15 | 4 | 8.5 | 56 | 86 | 56 | 76 | M10 | 17 | 82 | 8 |
| 100 | 40 | 8 | 13.5 | 25 | 124 | G1/4 | M12 | M20 x 1.5 | 20 | 4 | 8.5 | 66.5 | 96.5 | 66.5 | 86.5 | M10 | 22 | 103 | 10 |

* up to 30 mm stroke, ** from 35 mm stroke

Series NXD Mounting accessories

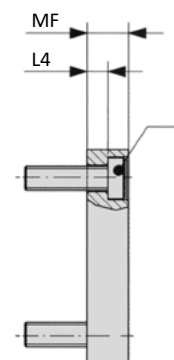
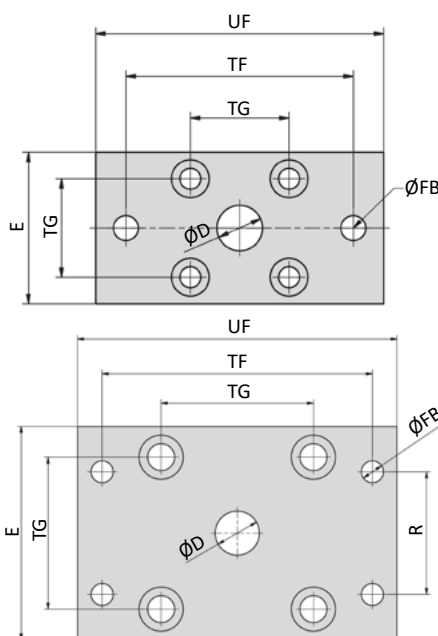
NXB-xxx-01 Foot mount



| Model-no.: | Ø AB | AO | AU | AT | E | L | L7 | S | TG | TR |
|------------|------|----|----|----|-----|------|------|----------|-----|-----|
| NXB-032-01 | 6.6 | 8 | 18 | 5 | 50 | 16 | 24 | M6 x 20 | 32 | 32 |
| NXB-040-01 | 9 | 8 | 20 | 5 | 60 | 21.5 | 29.5 | M6 x 20 | 42 | 42 |
| NXB-050-01 | 9 | 8 | 24 | 6 | 68 | 22 | 30 | M8 x 20 | 50 | 50 |
| NXB-063-01 | 11 | 12 | 27 | 6 | 84 | 28.5 | 39 | M8 x 20 | 62 | 62 |
| NXB-080-01 | 11 | 12 | 30 | 8 | 102 | 24.5 | 36.5 | M10 x 20 | 82 | 82 |
| NXB-100-01 | 13.5 | 12 | 33 | 8 | 123 | 26.5 | 38.5 | M10 x 20 | 103 | 103 |

material: steel, zinc plated; 2 x 2 screws in accordance with EN ISO 4762 are included.

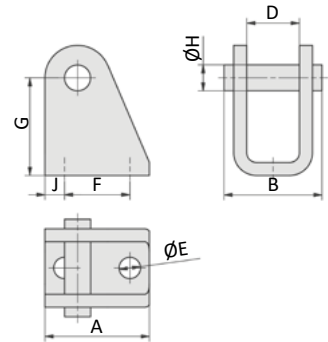
NXB-xxx-02 Flange mount



| Model-no.: | Ø D | E | Ø FB | L4 | MF | R | S | TF | TG | UF |
|------------|-----|-----|------|-----|----|----|----------|-----|-----|-----|
| NXB-016-02 | 10 | 29 | 5.5 | 4.6 | 10 | - | M4 x 16 | 43 | 18 | 55 |
| NXB-020-02 | 12 | 36 | 6.6 | 4.6 | 10 | - | M5 x 20 | 55 | 22 | 70 |
| NXB-025-02 | 12 | 40 | 6.6 | 4.6 | 10 | - | M5 x 20 | 60 | 26 | 76 |
| NXB-032-02 | 14 | 50 | 7 | 3.6 | 10 | 32 | M6 x 20 | 65 | 32 | 80 |
| NXB-040-02 | 14 | 60 | 9 | 3.6 | 10 | 36 | M6 x 20 | 82 | 42 | 102 |
| NXB-050-02 | 18 | 68 | 9 | 3.4 | 12 | 45 | M8 x 25 | 90 | 50 | 110 |
| NXB-063-02 | 18 | 87 | 9 | 4.4 | 15 | 50 | M10 x 25 | 110 | 62 | 130 |
| NXB-080-02 | 23 | 107 | 12 | 4.4 | 15 | 63 | M10 x 25 | 135 | 82 | 160 |
| NXB-100-02 | 28 | 128 | 14 | 4.4 | 15 | 75 | M10 x 30 | 163 | 103 | 190 |

material: steel, zinc plated; 4 screws in accordance with DIN 7984 are included.

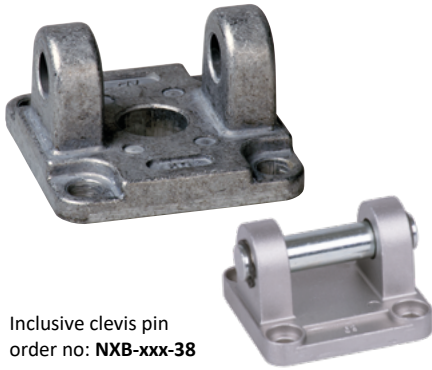
RC-xx Clevis mount



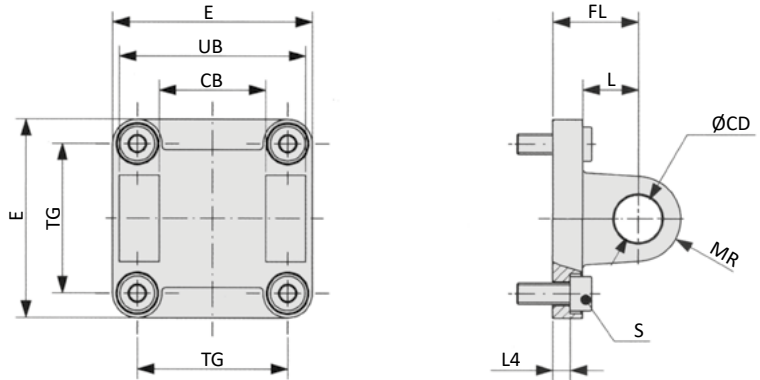
| Model-no.: | A | B | D | Ø E | F | G | Ø H | J |
|------------|----|----|------|-----|----|----|-----|---|
| RC-16 | 25 | 23 | 12.1 | 5.5 | 15 | 27 | 6 | 5 |
| RC-30 | 32 | 30 | 16.1 | 6.6 | 20 | 30 | 8 | 6 |

material: steel, zinc plated, 2 snap rings are included.

NXB-xxx-03 Clevis mount



Inclusive clevis pin
order no: **NXB-xxx-38**

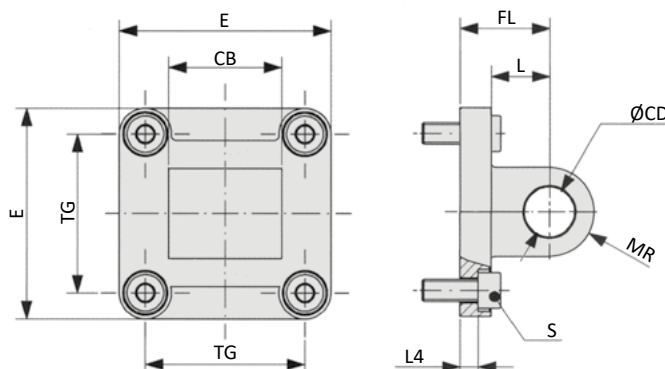


| Model-no.: | CB | Ø CD | E | FL | L | L4 | MR | S | TG | UB |
|------------|----|------|-----|----|----|-----|------|----------|-----|-----|
| NXB-032-03 | 26 | 10 | 48 | 22 | 13 | 5.5 | 10 | M6 x 16 | 32 | 45 |
| NXB-040-03 | 28 | 12 | 58 | 25 | 16 | 5.5 | 12.5 | M6 x 16 | 42 | 52 |
| NXB-050-03 | 32 | 12 | 66 | 27 | 16 | 6.5 | 12.5 | M8 x 20 | 50 | 60 |
| NXB-063-03 | 40 | 16 | 83 | 32 | 21 | 6.5 | 15 | M10 x 25 | 62 | 70 |
| NXB-080-03 | 50 | 16 | 102 | 36 | 23 | 10 | 15 | M10 x 30 | 82 | 90 |
| NXB-100-03 | 60 | 20 | 123 | 41 | 26 | 10 | 20 | M10 x 30 | 103 | 110 |

material: Al, 4 screws in accordance with EN ISO 4762 are included.

Series NXD Mounting accessories

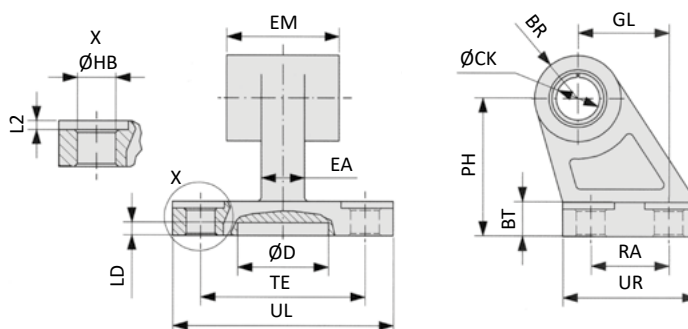
NXB-xxx-04 Swivel mount



| Model-no.: | CB | Ø CD | E | FL | L | L4 | MR | S | TG |
|------------|----|------|----|----|----|-----|----|---------|----|
| NXB-016-04 | 12 | 6 | 27 | 16 | 10 | 2.6 | 6 | M4 x 12 | 18 |
| NXB-020-04 | 16 | 8 | 34 | 20 | 14 | 2.6 | 8 | M5 x 16 | 22 |
| NXB-025-04 | 16 | 8 | 38 | 20 | 14 | 2.6 | 8 | M5 x 16 | 26 |

material: Al, 4 screws in accordance with EN ISO 4762 are included.

XLB-xxx-06 Swivel mount 90°

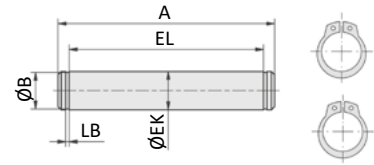


| Model-no.: | BR | BT | ØCK | Ø D | EA | EM | GL | ØHB | L2 | LD | PH | RA | TE | UL | UR |
|------------|----|----|-----|-----|----|----|----|-----|-----|----|----|----|----|----|----|
| XLB-032-06 | 10 | 8 | 10 | 21 | 10 | 26 | 21 | 6.6 | 1.6 | 3 | 32 | 18 | 38 | 51 | 31 |
| XLB-040-06 | 11 | 10 | 12 | 21 | 15 | 28 | 24 | 6.6 | 1.6 | 3 | 36 | 22 | 41 | 54 | 35 |
| XLB-050-06 | 13 | 12 | 12 | 21 | 16 | 32 | 33 | 9 | 1.6 | 3 | 45 | 30 | 50 | 65 | 45 |
| XLB-063-06 | 15 | 14 | 16 | 21 | 16 | 40 | 37 | 9 | 1.6 | 3 | 50 | 35 | 52 | 67 | 50 |
| XLB-080-06 | 15 | 14 | 16 | 21 | 20 | 50 | 47 | 11 | 2.5 | 3 | 63 | 40 | 66 | 86 | 60 |
| XLB-100-06 | 19 | 17 | 20 | 11 | 20 | 60 | 55 | 11 | 2.5 | 3 | 71 | 50 | 76 | 96 | 70 |

material: Al, bushing steel and PTFE

Series NXD Mounting accessories

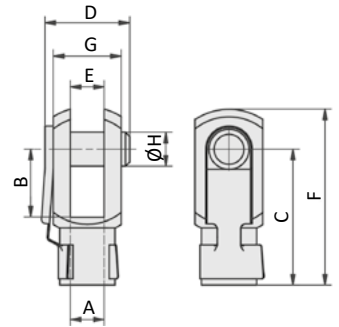
XLB-xxx-08 Clevis pin



| Model-no.: | A | Ø B | Ø EK | EL | LB |
|------------|-----|------|------|-----|-----|
| XLB-032-08 | 53 | 9.6 | 10 | 46 | 1.1 |
| XLB-040-08 | 60 | 11.5 | 12 | 53 | 1.1 |
| XLB-050-08 | 68 | 11.5 | 12 | 61 | 1.1 |
| XLB-063-08 | 78 | 15.2 | 16 | 71 | 1.1 |
| XLB-080-08 | 98 | 15.2 | 16 | 91 | 1.1 |
| XLB-100-08 | 118 | 19 | 20 | 111 | 1.3 |

material: steel, zinc plated; 2 snap rings are included.

RD-xx, FD-xx Rod clevis

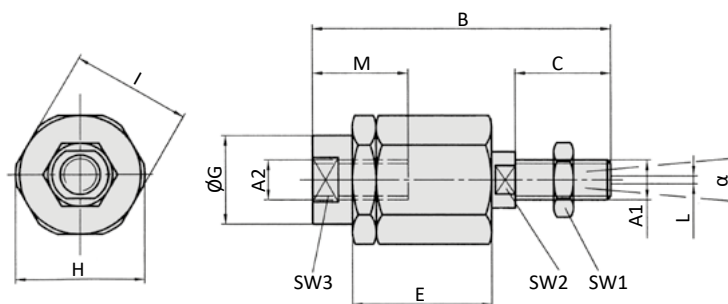


| Model-no.: | for cylinder Ø | A | B | C | D | E | F | G | Ø H |
|------------|----------------|------------|----|----|----|----|-----|----|-----|
| RD-16 | 12 | M6 | 12 | 24 | 16 | 6 | 31 | 12 | 6 |
| RD-20 | 16 | M8 | 16 | 32 | 22 | 8 | 42 | 16 | 8 |
| RD-25 | 20 - 40 | M10 x 1.25 | 20 | 40 | 26 | 10 | 52 | 20 | 10 |
| FD-40 | 50, 63 | M12 x 1.25 | 24 | 48 | 32 | 12 | 62 | 24 | 12 |
| FD-63 | 80 | M16 x 1.5 | 32 | 64 | 40 | 16 | 83 | 32 | 16 |
| FD-80 | 100 | M20 x 1.5 | 40 | 80 | 50 | 20 | 105 | 40 | 20 |

material: steel, zinc plated

Series NXD Mounting accessories

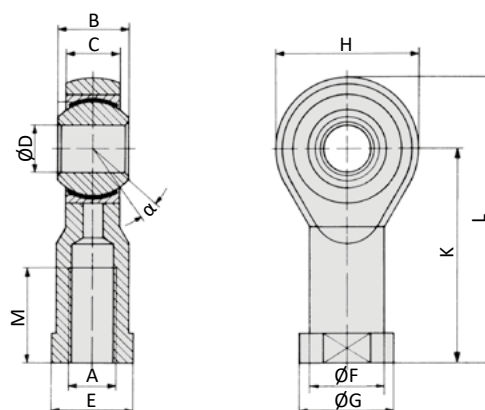
FK-xx Flexible coupling



| Model-no.: | for cylinder | A1, A2 | B | C | D | E | ØG | H | I | L | M | SW1 | SW2 | SW3 | α |
|------------|--------------|------------|------|----|-----|------|------|------|----|---|------|-----|-----|-----|----|
| FK-16 | 12 | M6 | 35 | 11 | 2.5 | 17.5 | 8.5 | 14.5 | 13 | 1 | 12.5 | 10 | 5 | 7 | 6° |
| FK-20 | 16 | M8 | 57 | 21 | 5 | 26 | 12.5 | 19 | 17 | 2 | 16 | 13 | 7 | 11 | 8° |
| FK-32 | 20 - 40 | M10 x 1.25 | 71.5 | 20 | 7.5 | 35 | 22 | 32 | 30 | 2 | 22 | 17 | 12 | 19 | 8° |
| FK-40 | 50, 63 | M12 x 1.25 | 75 | 20 | 7.5 | 35 | 22 | 32 | 30 | 2 | 22 | 19 | 12 | 19 | 8° |
| FK-63 | 80 | M16 x 1.5 | 104 | 32 | 10 | 53 | 32 | 45 | 41 | 2 | 30 | 24 | 20 | 27 | 6° |
| FK-80 | 100 | M20 x 1.5 | 119 | 40 | 10 | 53 | 32 | 45 | 41 | 2 | 37 | 30 | 20 | 30 | 6° |

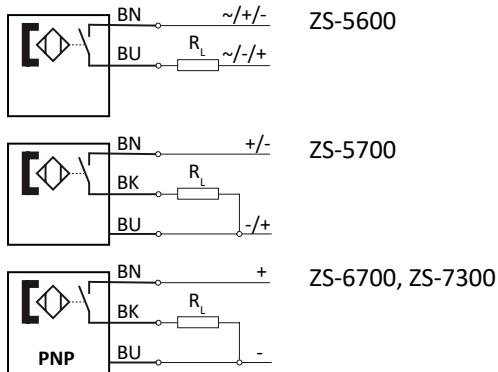
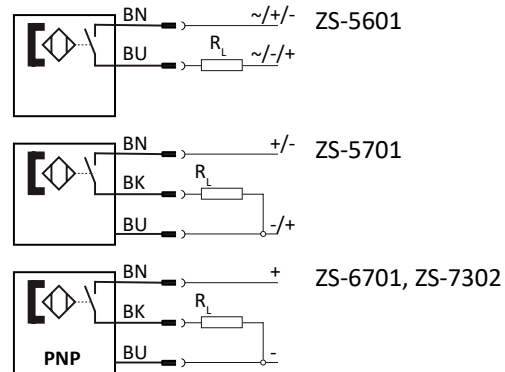
material: steel, zinc plated

RO-xx, FO-xx Rod eye



| Model-no.: | for cylinder | A | B | C | ØD | E | ØF | ØG | H | K | L | M | α |
|------------|--------------|------------|----|------|----|----|------|----|----|----|-----|----|-----|
| RO-16 | 12 | M6 | 9 | 6.75 | 6 | 11 | 10 | 13 | 20 | 30 | 40 | 12 | 13° |
| RO-20 | 16 | M8 | 12 | 9 | 8 | 14 | 12.5 | 16 | 24 | 36 | 48 | 16 | 14° |
| RO-25 | 20 - 40 | M10 x 1.25 | 14 | 10.5 | 10 | 17 | 15 | 19 | 28 | 43 | 57 | 20 | 13° |
| FO-40 | 50, 63 | M12 x 1.25 | 16 | 12 | 12 | 19 | 17.5 | 22 | 32 | 50 | 66 | 22 | 13° |
| FO-63 | 80 | M16 x 1.5 | 21 | 15 | 16 | 22 | 22 | 27 | 42 | 64 | 85 | 28 | 15° |
| FO-80 | 100 | M20 x 1.5 | 25 | 18 | 20 | 30 | 27.5 | 34 | 50 | 77 | 102 | 33 | 14° |

materials: steel, zinc plated, bearing steel, bronze bushing

Proximity sensors with cable

Proximity sensors with plug

Technical data

| Model-no.: | ZS-5600 | ZS-5601 | ZS-5700 | ZS-5701 |
|---|---------------------|--------------------------|---|---------------------------------|
| | | | | |
| Design | 2-pole Reed sensor | 2-pole Reed sensor | 3-pole Reed sensor | 3-pole Reed sensor |
| Contact function | NO | NO | NO | NO |
| Rated operational voltage | 5 ... 240 V AC / DC | 5 ... 60 V AC / DC | 5 ... 30 V DC | 5 ... 30 V DC |
| Rated operational current I_E | 3 ... 100 mA | 3 ... 100 mA | ≤ 500 mA | ≤ 500 mA |
| Max. voltage drop at I_E | ≤ 2.5 | ≤ 2.5 | ≤ 0.1 | ≤ 0.1 |
| Breaking capacity | 10 W | 10 W | 10 W | 10 W |
| Cable length | 3 m | 0.3 m with M8 connection | 5 m | 0.3 m with M8 connection |
| Temperature range | -10 ... +70°C | -10 ... +70°C | -10 ... +70°C | -10 ... +70°C |
| Protection | IP 67 | IP 67 | IP 67 | IP 67 |
| Switching status indication | LED red | LED red | LED yellow | LED yellow |
| Model-no.: | ZS-6700 | ZS-6701 | ZS-7300 | ZS-7302 |
| | | | | |
| Design | 3-pole inductive | 3-pole inductive | 3-pole inductive | 3-pole inductive |
| Contact function | NO | NO | NO | NO |
| Output | PNP | PNP | PNP | PNP |
| Rated operational voltage | 5 ... 30 V DC | 5 ... 30 V DC | 10 ... 30 V DC | 10 ... 30 V DC |
| Rated operational current I_E | ≤ 200 mA | ≤ 200 mA | ≤ 100 mA | ≤ 100 mA |
| Max. voltage drop at I_E | ≤ 1.0 | ≤ 1.0 | ≤ 2.5 | ≤ 2.5 |
| Breaking capacity | 6 W | 6 W | 3 W | 3 W |
| Cable length | 3 m | 0.3 m with M8 connection | 6 m | 0.3 m with M12 connection |
| Temperature range | -10 ... +70°C | -10 ... +70°C | -20 ... +60°C | -20 ... +60°C |
| Protection | IP 67 | IP 67 | IP 67 | IP 67 |
| Switching status indication | LED green | LED green | LED yellow | LED yellow |
| | - | - | II 3G Ex nA T4 II 3D Ex tD A22 IP67 T 125°C | II 3D Ex tc IIIC T125°C Dc X |

Series ZS

Proximity sensors

Cable with bushing for proximity sensors

| Model-no.: | KA-30 | KA-50 | KA-51 | KA-100 | KA-101 |
|--------------|-------------|-------------|-------------|-------------|-------------|
| Connection | M8, snap-in | M8, snap-in | M8, snap-in | M8, snap-in | M8, snap-in |
| Version | straight | straight | elbow 90° | straight | elbow 90° |
| Cable length | 3 m | 5 m | 5 m | 10 m | 10 m |

Mounting

The sensors are mounted at the groove of the cylinder profile. It is fixed by turning the fixing screw at the sensor clockwise. The cover stripe XLB-011 (see below) can be used for protecting the sensor cable.

Cover for sensor groove

| | |
|------------|-------------------------------------|
| Model-no.: | XLB-011 |
| Design | plastic profile, 50 cm length, blue |
| For series | XL, NXD, NXE, NYD, NYE, NYSE, LX |

