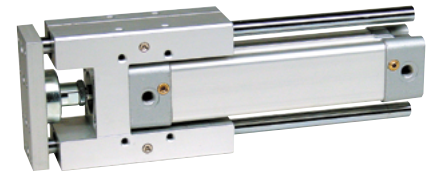


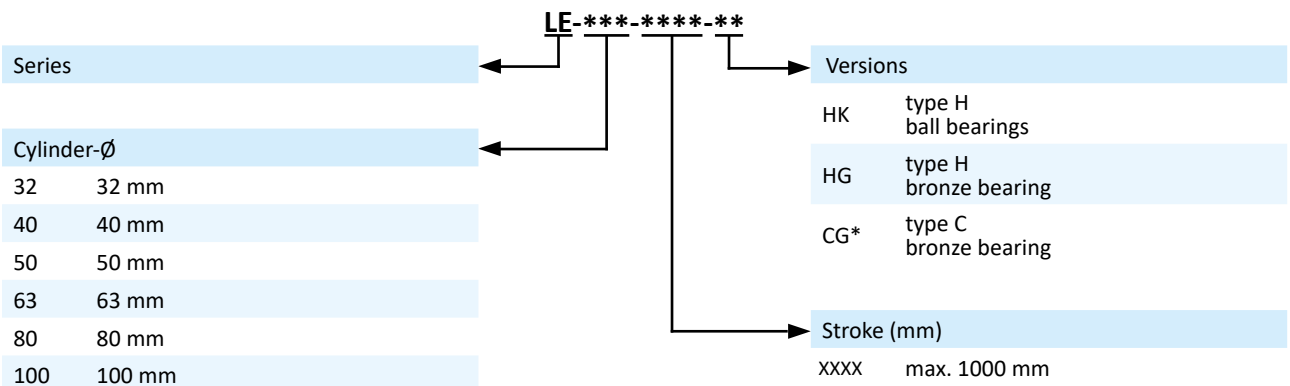
Technical details

Operating pressure	1 ... 10 bar	
Temperature range	-30°C ... +100°C	
Max. stroke	1000 mm	
Materials	Body:	Al (anodized)
	Guide rod:	steel hard chrome plated (bronze bearing) steel, getempert (ball bearings)
	Bearing:	sintered bronze (bronze bearing) steel (ball bearings)
	Seals:	NBR



Linear guide for piston rod cylinders in accordance with ISO 15552.

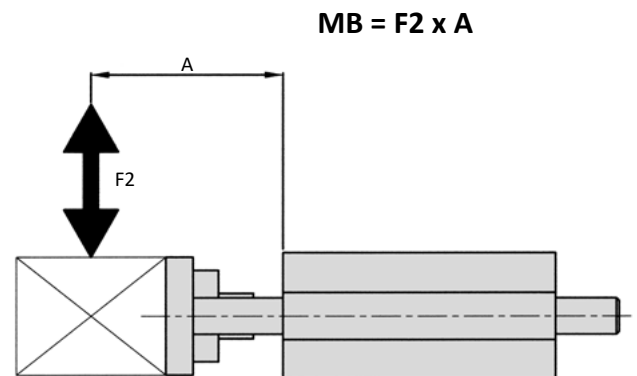
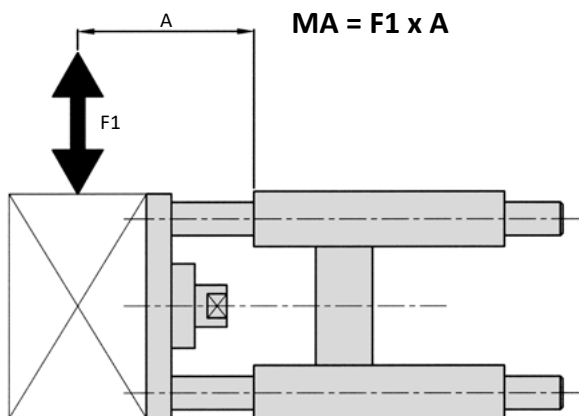
Order code



* only up to Ø 63 mm

Technical information

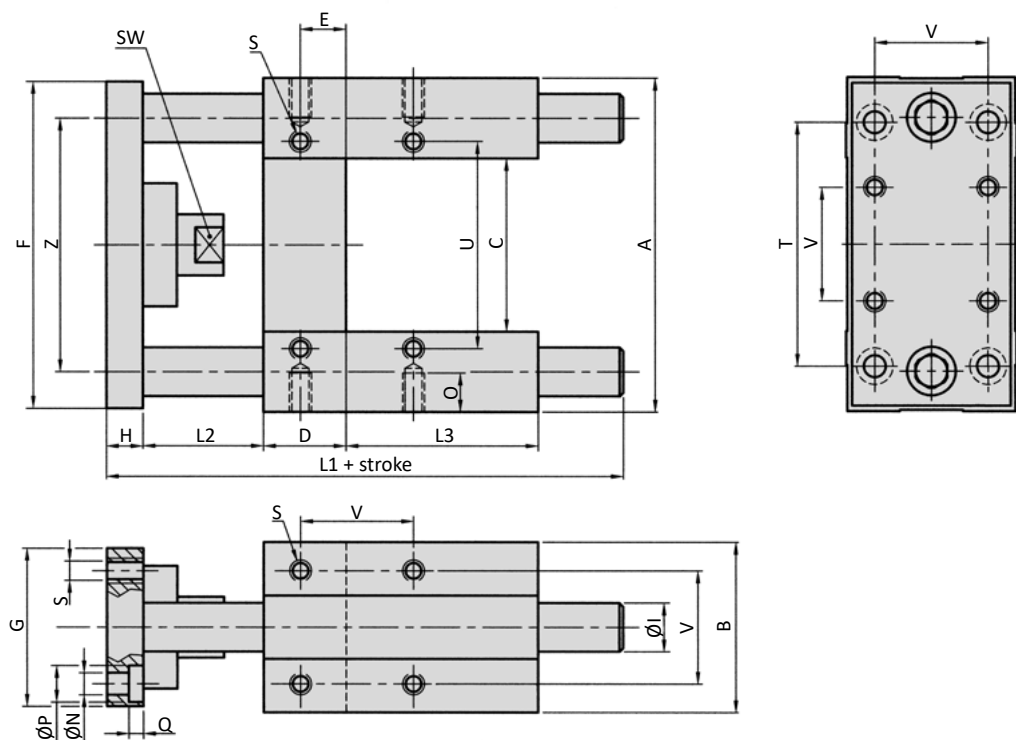
Version	Piston Ø (mm)	32	40	50	63	80	100
CG	max. load MA (Nm)	13	21	21	26	-	-
	max. load MB (Nm)	12	19	19	23	-	-
HG	max. load MA (Nm)	20	35	50	60	72	80
	max. load MB (Nm)	18	32	45	54	65	72
HK	max. load MA (Nm)	16	29	42	48	60	60
	max. load MB (Nm)	14	16	38	43	54	54



Series LE

Linear guides

Dimensions type CG

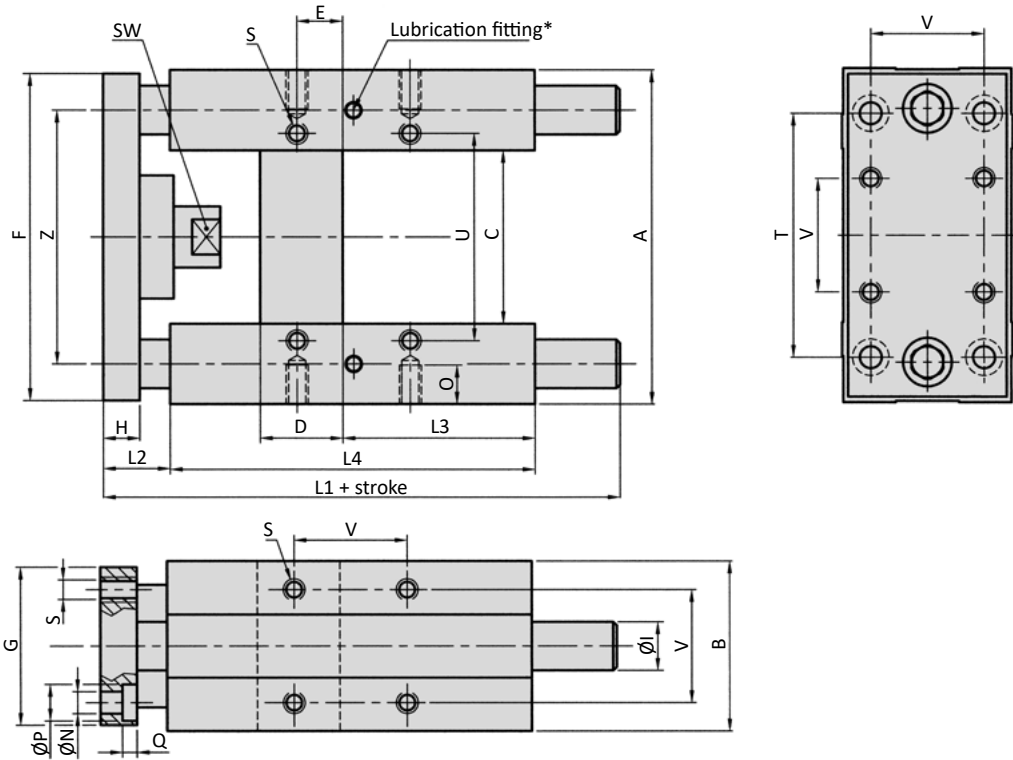


Piston Ø	A	B	C	D	E	F	G	H	Ø I	L1	L2
32	97	49	51	17	9.25	93	45	12	12	120	42
40	115	58	58.2	21	11	112	55	12	16	130	43
50	137	70	70.2	25	18.8	134	65	15	20	143	49
63	152	85	85.2	25	15.3	147	80	15	20	161	49

Piston Ø	L3	Ø N	O	Ø P	Q	S	SW	T	U	V	Z
32	31	6.6	12	11	6.5	M6	15	78	61	32.5	74
40	37	6.6	12	11	6.5	M6	15	84	69	38	87
50	34	9	16	15	8.5	M8	20	100	85	46.5	104
63	51	9	16	15	9	M8	20	105	100	56.5	119

Piston Ø (mm)		32	40	50	63
Weight	0 mm stroke	0.80	1.30	2.30	3.00
(kg)	each 100 mm stroke	0.18	0.32	0.50	0.50

Dimensions type HG. HK



*only type HK

Piston Ø	A	B	C	D	E	F	G	H	Ø I	L1	L2
32	97	49	51	24	4.3	93	45	12	12	187	20
40	115	58	58.2	28	11	112	55	12	16	207	20
50	137	70	70.2	34	18.8	134	65	15	20	223	19
63	152	85	85.2	34	15.3	147	80	15	20	243	19
80	189	105	105.5	50	25	180	100	20	25	267	33
100	213	130	130.5	55	30	206	120	20	25	290	33

Piston Ø	L3	L4	Ø N	O	Ø P	Q	S	SW	T	U	V	Z
32	75	125	6.6	12	11	6.5	M6	15	78	61	32.5	74
40	80	140	6.6	12	11	6.5	M6	15	84	69	38	87
50	78	148	9	16	15	8.5	M8	20	100	85	46.5	104
63	106	178	9	16	15	9	M8	20	105	100	56.5	119
80	111	195	11	20	18	11	M10	26	130	130	72	148
100	128	218	11	20	18	11	M10	26	150	150	89	173

Piston Ø (mm)		32	40	50	63	80	100
Weight	0 mm stroke	1.29	2.40	3.50	4.60	8.40	11.80
HG (kg)	each 100 mm stroke	0.18	0.32	0.50	0.50	0.77	0.77
Weight	0 mm stroke	1.20	2.30	3.40	4.40	8.20	11.60
HK (kg)	each 100 mm stroke	0.18	0.32	0.50	0.50	0.77	0.77